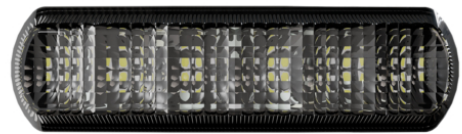


Model 215 LED Front Position & Signal Light

PRODUCT INFORMATION

Description	24V ECE LED Front Position & Direction Indicator Light
Height	40.00 mm / 1.57 in
Width	128.00 mm / 5.04 in
Depth	25.50 mm / 1 in
Shape	Rectangle
Outer Lens Material	PMMA
Outer Lens Color	clear
Housing Material	Polycarbonate
Housing Color	Black
Bezel Color	N/A
Mounting Hardware Description	(x2) Self Threading Nut, 7/16" or 11mm
Mounting Type	Flush
Minimum Operating Temperature	-40 °C / -40 °F
Maximum Operating Temperature	85 °C / 185 °F
Mating Connector	DEUTSCH DT06-3S-P012 (3 PIN)
Product Weight	0.20 lbs / 0.09 kgs
Shipping Weight	0.30 lbs / 0.14 kgs



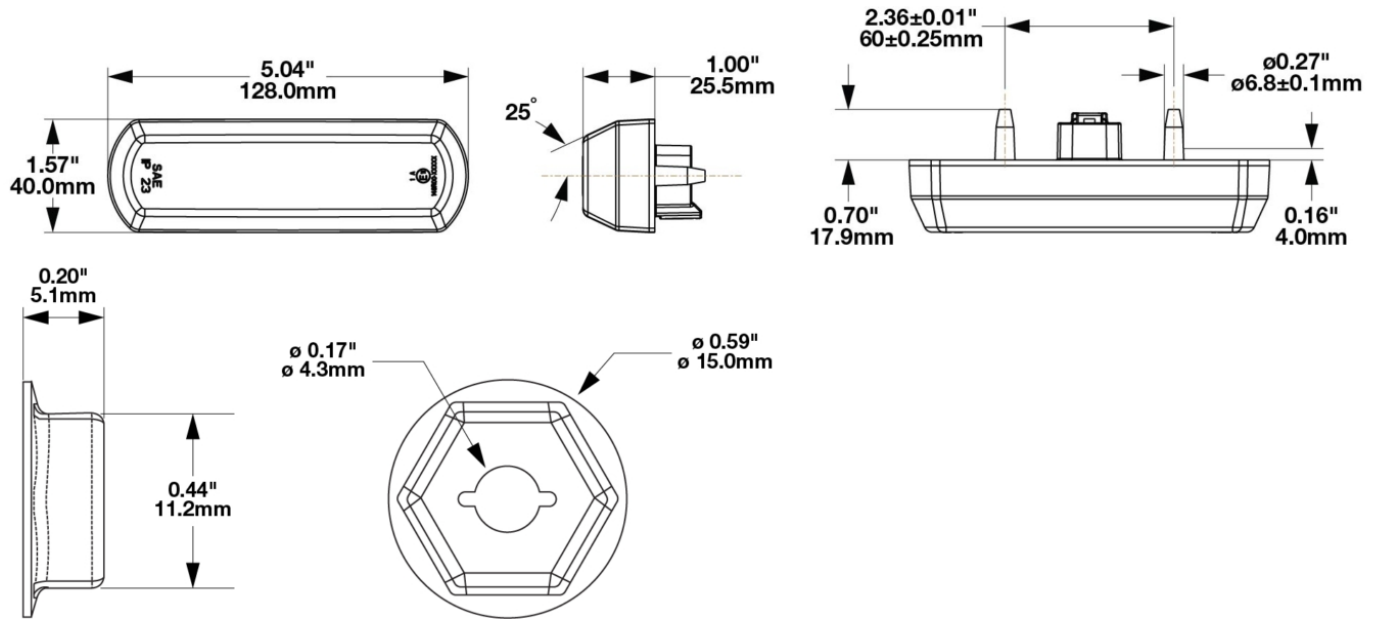
Print date: 2025-05-17

© 2025 J.W. Speaker Corporation • Germantown, WI U.S.A.
www.jwspeaker.com • speaker@jwspeaker.com • 262.251.6660

J.W. SPEAKER 
Engineered. Lighting. Solutions.

Model 215 LED Front Position & Signal Light

PRODUCT DIMENSIONS



5430452

(Not Included)

ELECTRICAL SPECIFICATIONS

Input Voltage	24V DC
Operating Voltage	20-28V DC
Pin B Wire	Front Position
Pin A Wire	Turn
Pin C Wire	Ground
Current Draw	0.032A @ 24V DC (Front Position) 0.123A @ 24V DC (Turn)

Print date: 2025-05-17

© 2025 J.W. Speaker Corporation • Germantown, WI U.S.A.
www.jwspeaker.com • speaker@jwspeaker.com • 262.251.6660

Model 215 LED Front Position & Signal Light

REGULATORY STANDARDS COMPLIANCE



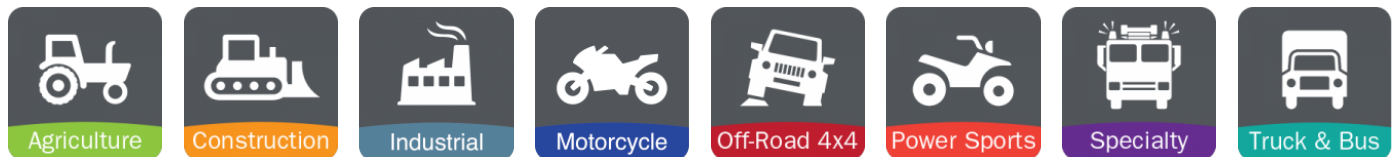
ECE Reg 148 - 1a
IEC IP67
ISO 13207-1

ECE Reg 148 - A
IEC IP69K

PHOTOMETRIC SPECIFICATIONS

Beam Pattern(s) Signalization - Front Position
 Signalization - Turn (Front)
 Warning - Flashing Warning

APPLICATIONS



ADDITIONAL INFORMATION

Wires are not Included with lamp
Parts in Connector Kit:
CONNECTOR, DEUTSCH DT06-3S-P012 qty 1
TERMINAL, SOCKET DEUTSCH 0462-201-16141 qty 3
5746270 Wedge Lock Deutsch W3S-P012 Qty 1
For Mounting the Lamp:
NUT, 1/4-20, CR, ST, CZN, SPEED SELF TH qty 2

Print date: 2025-05-17

© 2025 J.W. Speaker Corporation • Germantown, WI U.S.A.
www.jwspeaker.com • speaker@jwspeaker.com • 262.251.6660

Model 215 LED Front Position & Signal Light

PRODUCT WARNINGS

For California residents:

⚠ **WARNING:** Cancer and reproductive harm - www.P65Warnings.ca.gov.

⚠ **AVERTISSEMENT:** Cancer et effet nocif sur la reproduction - www.P65Warnings.ca.gov.

RELATED PRODUCTS



Part Number

0348251

12V ECE/SAE LED
Front Position &
Direction Indicator
Light

Part Number

0348252

12V ECE/SAE LED
Front Position &
Direction Indicator
Light (BULK)

Part Number

0348452

24V ECE LED Front
Position & Direction
Indicator Light (BULK)