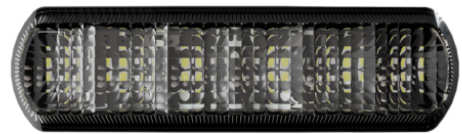


# Model 215 LED Front Position & Signal Light

## PRODUCT INFORMATION

---

<b>Description</b>	12V ECE/SAE LED Front Position & Direction Indicator Light
<b>Height</b>	40.00 mm / 1.57 in
<b>Width</b>	128.00 mm / 5.04 in
<b>Depth</b>	25.50 mm / 1 in
<b>Shape</b>	Rectangular
<b>Outer Lens Material</b>	PMMA
<b>Outer Lens Color</b>	Clear
<b>Housing Material</b>	Polycarbonate
<b>Housing Color</b>	Black
<b>Bezel Color</b>	N/A
<b>Mounting Hardware Description</b>	(x2) Self Threading Nut, 7/16" or 11mm
<b>Mounting Type</b>	Flush
<b>Minimum Operating Temperature</b>	-40 °C / -40 °F
<b>Maximum Operating Temperature</b>	85 °C / 185 °F
<b>Mating Connector</b>	DEUTSCH DT06-3S-P012 (3 PIN)
<b>Product Weight</b>	0.20 lbs / 0.09 kgs
<b>Shipping Weight</b>	0.30 lbs / 0.14 kgs



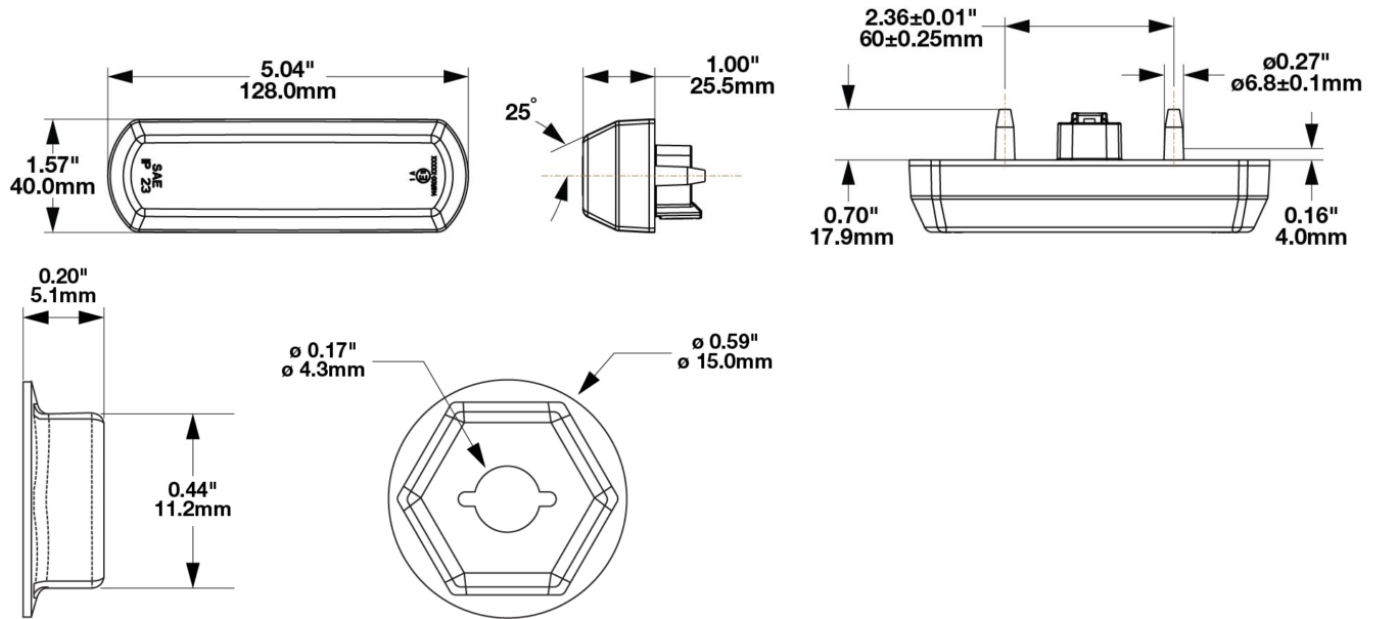
---

**Print date: 2025-05-17**

© 2025 J.W. Speaker Corporation • Germantown, WI U.S.A.  
www.jwspeaker.com • speaker@jwspeaker.com • 262.251.6660

# Model 215 LED Front Position & Signal Light

## PRODUCT DIMENSIONS



5430452

(Not Included)

## ELECTRICAL SPECIFICATIONS

<b>Input Voltage</b>	12V DC
<b>Operating Voltage</b>	9-16V DC
<b>Pin-B Wire</b>	Front Position
<b>Pin-A Wire</b>	Turn
<b>Pin-C Wire</b>	Ground
<b>Current Draw</b>	0.02A @ 12V DC (Front Position) 0.10A @ 12V DC (Turn)

Print date: 2025-05-17

© 2025 J.W. Speaker Corporation • Germantown, WI U.S.A.  
www.jwspeaker.com • speaker@jwspeaker.com • 262.251.6660

# Model 215 LED Front Position & Signal Light

## REGULATORY STANDARDS COMPLIANCE

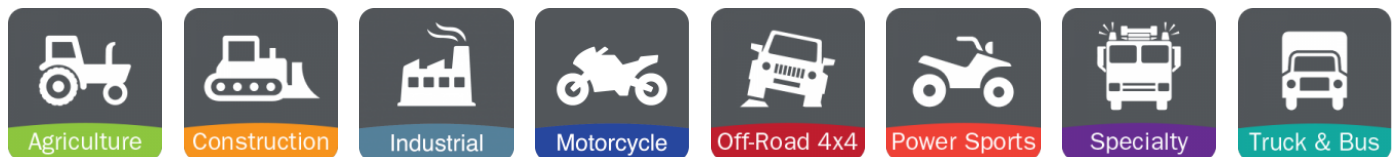


ECE Reg 148 - 1a	ECE Reg 148 - A
FMVSS 108 s7.1 (Table VI)	FMVSS 108 s7.8 (Table XIV)
IEC IP67	IEC IP69K
ISO 13207-1	SAE J222
SAE J588	

## PHOTOMETRIC SPECIFICATIONS

<b>Beam Pattern(s)</b>	Signalization - Front Position
	Signalization - Turn (Front)
	Warning - Flashing Warning

## APPLICATIONS



## ADDITIONAL INFORMATION

Wires are not Included with lamp  
 Parts in Connector Kit:  
 CONNECTOR, DEUTSCH DT06-3S-P012 qty 1  
 TERMINAL, SOCKET DEUTSCH 0462-201-16141 qty 3  
 5746270 Wedge Lock Deutsch W3S-P012 Qty 1  
 For Mounting the Lamp:  
 NUT, 1/4-20, CR, ST, CZN, SPEED SELF TH qty 2

Print date: 2025-05-17

© 2025 J.W. Speaker Corporation • Germantown, WI U.S.A.  
 www.jwspeaker.com • speaker@jwspeaker.com • 262.251.6660

**J.W. SPEAKER**  
 Engineered. Lighting. Solutions.

# Model 215 LED Front Position & Signal Light

## PRODUCT WARNINGS

---

For California residents:

⚠ **WARNING:** Cancer and reproductive harm - [www.P65Warnings.ca.gov](http://www.P65Warnings.ca.gov).

⚠ **AVERTISSEMENT:** Cancer et effet nocif sur la reproduction - [www.P65Warnings.ca.gov](http://www.P65Warnings.ca.gov).

## RELATED PRODUCTS

---



**Part Number**  
**0348252**  
12V ECE/SAE LED  
Front Position &  
Direction Indicator  
Light (BULK)



**Part Number**  
**0348451**  
24V ECE LED Front  
Position & Direction  
Indicator Light



**Part Number**  
**0348452**  
24V ECE LED Front  
Position & Direction  
Indicator Light (BULK)