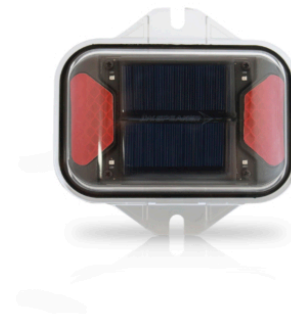


LED Solar Flasher & Warning Light - Model 210

PRODUCT INFORMATION

Description	LED Solar Red Flasher w/ Click Bond Mounting Kit
Height	136.00 mm / 5.35 in
Width	147.10 mm / 5.79 in
Depth	21.00 mm / 0.83 in
Shape	Rectangular
Outer Lens Material	Acrylic
Outer Lens Color	Clear
Housing Material	Polycarbonate
Housing Color	Black
Minimum Operating Temperature	-40 °C / -40 °F
Maximum Operating Temperature	65 °C / 149 °F
Connector or Wiring	NA
Mating Connector	NA
Product Weight	0.40 lbs / 0.18 kgs
Shipping Weight	0.80 lbs / 0.36 kgs
Additional Information	Flash sequence operates when there is not the presence of an external light source.



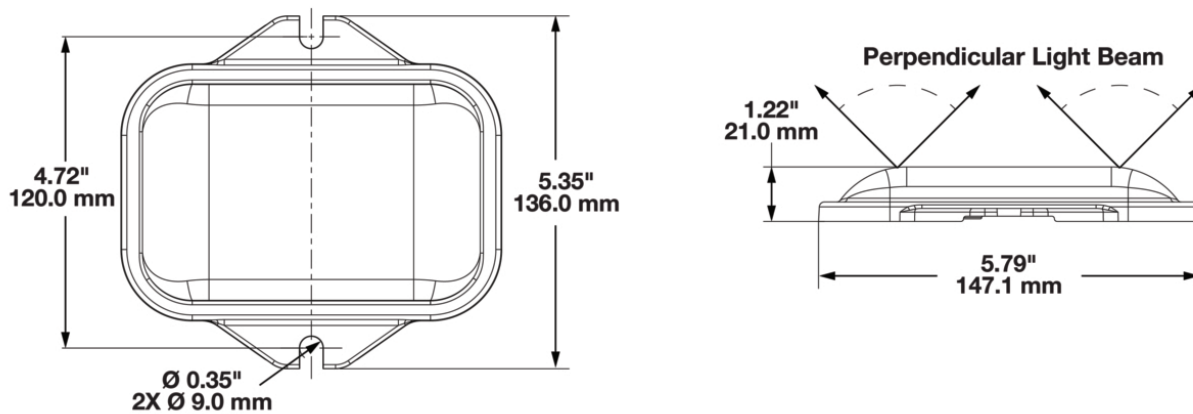
Print date: 2026-06-19

© 2026 J.W. Speaker Corporation • Germantown, WI U.S.A.
 www.jwspeaker.com • speaker@jwspeaker.com • 262.251.6660

J.W. SPEAKER 
 Engineered. Lighting. Solutions.

LED Solar Flasher & Warning Light - Model 210

PRODUCT DIMENSIONS



ELECTRICAL SPECIFICATIONS

Battery Run Time	120 hours
Battery Recharge Time	6 hours

REGULATORY STANDARDS COMPLIANCE



IEC IP69K

PHOTOMETRIC SPECIFICATIONS

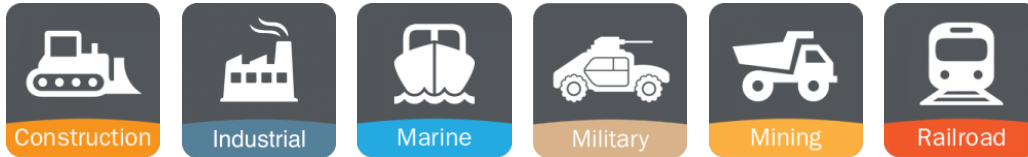
Beam Pattern(s) Warning - Flashing Warning

Print date: 2026-06-19

© 2026 J.W. Speaker Corporation • Germantown, WI U.S.A.
www.jwspeaker.com • speaker@jwspeaker.com • 262.251.6660

LED Solar Flasher & Warning Light - Model 210

APPLICATIONS



PRODUCT WARNINGS

For California residents:

⚠ **WARNING:** Cancer and reproductive harm - www.P65Warnings.ca.gov.

⚠ **AVERTISSEMENT:** Cancer et effet nocif sur la reproduction - www.P65Warnings.ca.gov.

RELATED PRODUCTS



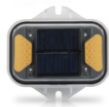
Part Number
0647031

LED Solar Amber
Flasher



Part Number
0647041

LED Solar Red Flasher



Part Number
0647071

LED Solar Amber
Flasher w/ Click Bond
Mounting Kit