

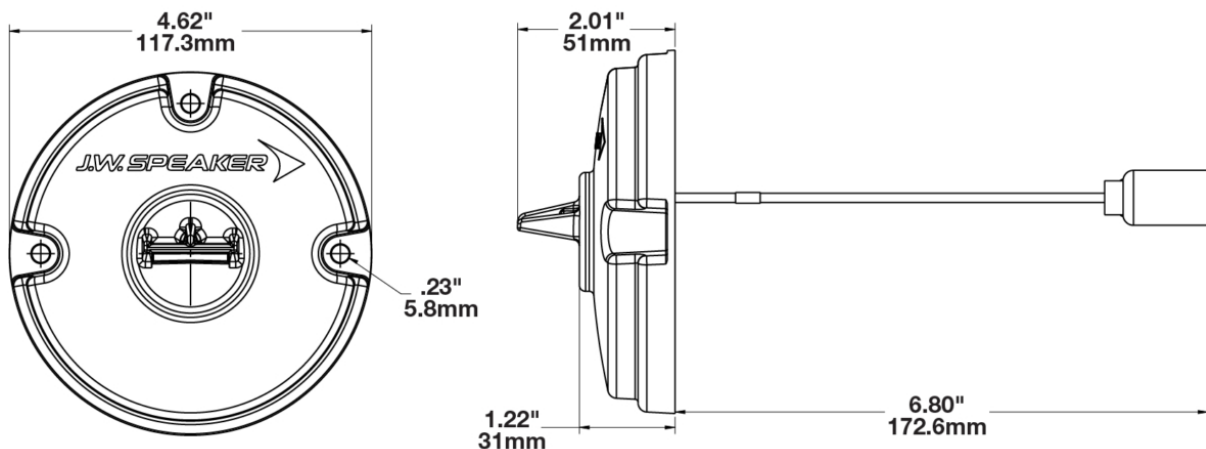
LED Signal Lights – Military Black Out Lights

PRODUCT INFORMATION

Description	12-24V 117mm Cyan Blackout Driving Light with Green Housing - Bulk Qty (24 MIN)
Height	117.30 mm / 4.62 in
Width	117.30 mm / 4.62 in
Depth	51.00 mm / 2.01 in
Shape	Round
Housing Material	Polycarbonate
Housing Color	Green
Mounting Type	Surface Mount
Product Weight	0.75 lbs / 0.34 kgs
Shipping Weight	7.75 lbs / 3.52 kgs



PRODUCT DIMENSIONS



Print date: 2020-10-30

© 2020 J.W. Speaker Corporation • Germantown, WI U.S.A.
 www.jwspeaker.com • speaker@jwspeaker.com • 262.251.6660

J.W. SPEAKER
 Engineered. Lighting. Solutions.

LED Signal Lights – Military Black Out Lights

ELECTRICAL SPECIFICATIONS

Input Voltage	12-24V DC
Operating Voltage	10-30V DC
Current Draw	.098A @ 12V DC .057A @ 24V DC

PHOTOMETRIC SPECIFICATIONS

Beam Pattern(s)	Signalization - Marker
------------------------	------------------------

APPLICATIONS



PRODUCT WARNINGS

For California residents:

⚠ WARNING: Cancer and reproductive harm - www.P65Warnings.ca.gov.

⚠ AVERTISSEMENT: Cancer et effet nocif sur la reproduction - www.P65Warnings.ca.gov.

Print date: 2020-10-30

© 2020 J.W. Speaker Corporation • Germantown, WI U.S.A.
www.jwspeaker.com • speaker@jwspeaker.com • 262.251.6660

J.W. SPEAKER 
Engineered. Lighting. Solutions.

LED Signal Lights – Military Black Out Lights

RELATED PRODUCTS



Part Number

0556132

12-24V 117mm Cyan
Blackout Driving Light
with Tan Housing -
Bulk Qty (24 MIN)