

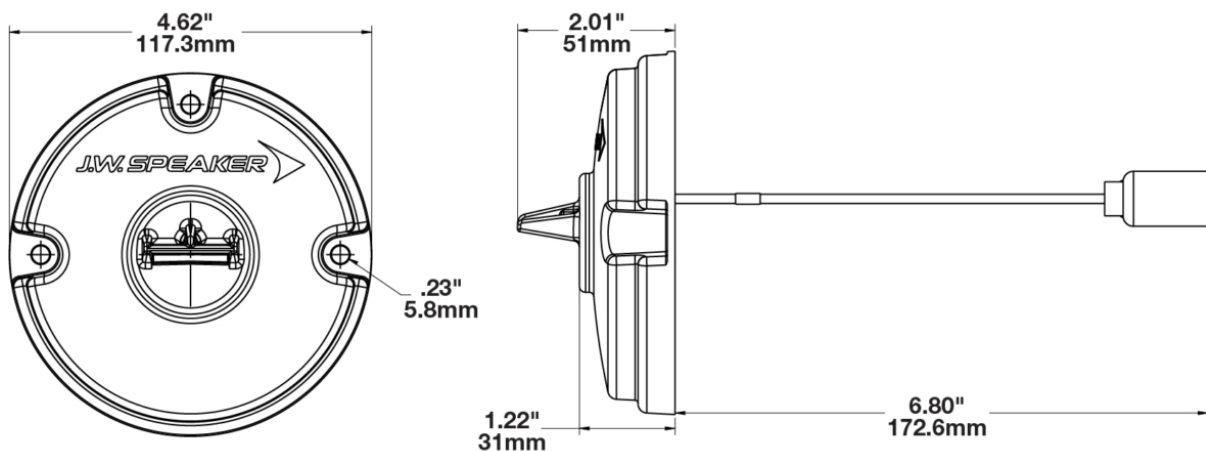
LED Signal Lights - Military Blackout Lights

PRODUCT INFORMATION

| | |
|----------------------------|---|
| Description | 12-24V 117mm Cyan Blackout Driving Light with Tan Housing - Bulk Qty (24 MIN) |
| Height | 117.30 mm / 4.62 in |
| Width | 117.30 mm / 4.62 in |
| Depth | 51.00 mm / 2.01 in |
| Shape | Round |
| Housing Material | Polycarbonate |
| Housing Color | Tan |
| Mounting Type | Surface Mount |
| Connector or Wiring | Ground Wire: MS 27142 Power Wire: MS 27144 |
| Product Weight | 0.75 lbs / 0.34 kgs |
| Shipping Weight | 7.75 lbs / 3.52 kgs |



PRODUCT DIMENSIONS



Print date: 2026-06-15

© 2026 J.W. Speaker Corporation • Germantown, WI U.S.A.
www.jwspeaker.com • speaker@jwspeaker.com • 262.251.6660

J.W. SPEAKER
 Engineered. Lighting. Solutions.

LED Signal Lights - Military Blackout Lights

ELECTRICAL SPECIFICATIONS

| | |
|--------------------------|----------------------------------|
| Input Voltage | 12-24V DC |
| Operating Voltage | 10-30V DC |
| Current Draw | .098A @ 12V DC .057A @ 24V DC |

PHOTOMETRIC SPECIFICATIONS

Beam Pattern(s) Signalization - Marker

APPLICATIONS



PRODUCT WARNINGS

For California residents:

⚠ **WARNING:** Cancer and reproductive harm - www.P65Warnings.ca.gov.

⚠ **AVERTISSEMENT:** Cancer et effet nocif sur la reproduction - www.P65Warnings.ca.gov.

Print date: 2026-06-15

© 2026 J.W. Speaker Corporation • Germantown, WI U.S.A.
www.jwspeaker.com • speaker@jwspeaker.com • 262.251.6660

LED Signal Lights - Military Blackout Lights

RELATED PRODUCTS



Part Number
0347502
24V 40mm Amber
Front Blackout Marker
Light - Bulk Qty (18
MIN)



Part Number
0347512
24V 40mm Red Rear
Blackout Tail Light -
Bulk Qty (18 MIN)



Part Number
0347522
24V 40mm Amber
Rear Blackout Stop
Light - Bulk Qty (18
MIN)



Part Number
0550312
24V 40mm Cyan LH
Blackout Driving Light
- Bulk Qty (18 MIN)



Part Number
0550732
24V 40mm Cyan RH
Blackout Driving Light
- Bulk Qty (18 MIN)



Part Number
0556142
12-24V 117mm Cyan
Blackout Driving Light
with Green Housing -
Bulk Qty (24 MIN)