

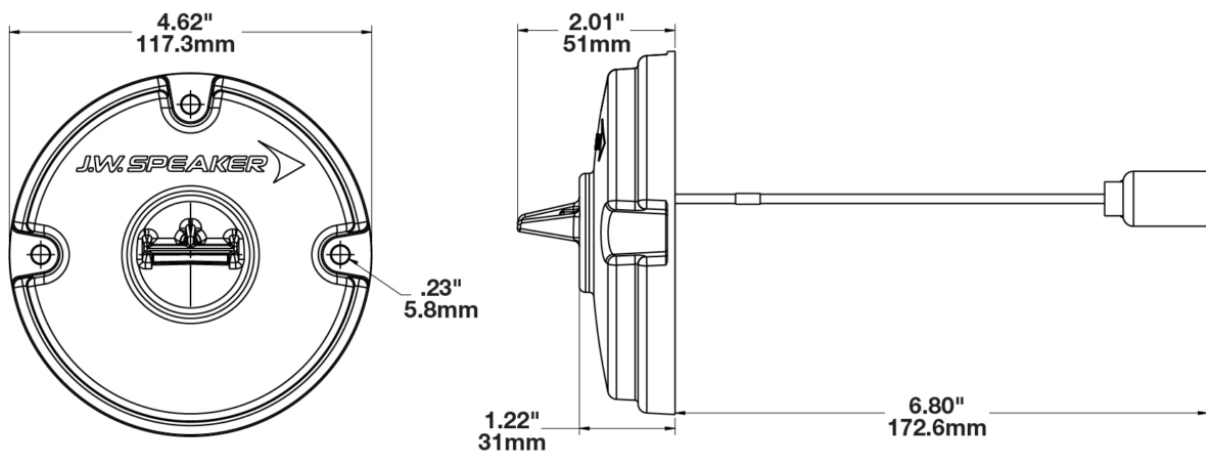
# LED Signal Lights - Military Blackout Lights

## PRODUCT INFORMATION

<b>Description</b>	12-24V 117mm Cyan Blackout Driving Light with Tan Housing - Bulk Qty (24 MIN)
<b>Height</b>	117.30 mm / 4.62 in
<b>Width</b>	117.30 mm / 4.62 in
<b>Depth</b>	51.00 mm / 2.01 in
<b>Shape</b>	Round
<b>Housing Material</b>	Polycarbonate
<b>Housing Color</b>	Tan
<b>Mounting Type</b>	Surface Mount
<b>Connector or Wiring</b>	Ground Wire: MS 27142 Power Wire: MS 27144
<b>Product Weight</b>	0.75 lbs / 0.34 kgs
<b>Shipping Weight</b>	7.75 lbs / 3.52 kgs



## PRODUCT DIMENSIONS



Print date: 2026-06-16

© 2026 J.W. Speaker Corporation • Germantown, WI U.S.A.  
[www.jwspeaker.com](http://www.jwspeaker.com) • [speaker@jwspeaker.com](mailto:speaker@jwspeaker.com) • 262.251.6660

**J.W. SPEAKER**  
 Engineered. Lighting. Solutions.

# LED Signal Lights - Military Blackout Lights

## ELECTRICAL SPECIFICATIONS

---

<b>Input Voltage</b>	12-24V DC
<b>Operating Voltage</b>	10-30V DC
<b>Current Draw</b>	.098A @ 12V DC .057A @ 24V DC

## PHOTOMETRIC SPECIFICATIONS

---

**Beam Pattern(s)**     Signalization - Marker

## APPLICATIONS

---



## PRODUCT WARNINGS

---

For California residents:

⚠ **WARNING:** Cancer and reproductive harm - [www.P65Warnings.ca.gov](http://www.P65Warnings.ca.gov).

⚠ **AVERTISSEMENT:** Cancer et effet nocif sur la reproduction - [www.P65Warnings.ca.gov](http://www.P65Warnings.ca.gov).

---

**Print date: 2026-06-16**

© 2026 J.W. Speaker Corporation • Germantown, WI U.S.A.  
[www.jwspeaker.com](http://www.jwspeaker.com) • [speaker@jwspeaker.com](mailto:speaker@jwspeaker.com) • 262.251.6660

# LED Signal Lights - Military Blackout Lights

## RELATED PRODUCTS

---



**Part Number**  
**0347502**  
24V 40mm Amber  
Front Blackout Marker  
Light - Bulk Qty (18  
MIN)



**Part Number**  
**0347512**  
24V 40mm Red Rear  
Blackout Tail Light -  
Bulk Qty (18 MIN)



**Part Number**  
**0347522**  
24V 40mm Amber  
Rear Blackout Stop  
Light - Bulk Qty (18  
MIN)



**Part Number**  
**0550312**  
24V 40mm Cyan LH  
Blackout Driving Light  
- Bulk Qty (18 MIN)



**Part Number**  
**0550732**  
24V 40mm Cyan RH  
Blackout Driving Light  
- Bulk Qty (18 MIN)



**Part Number**  
**0556142**  
12-24V 117mm Cyan  
Blackout Driving Light  
with Green Housing -  
Bulk Qty (24 MIN)