

LED Material Handling Safety Lights - Model

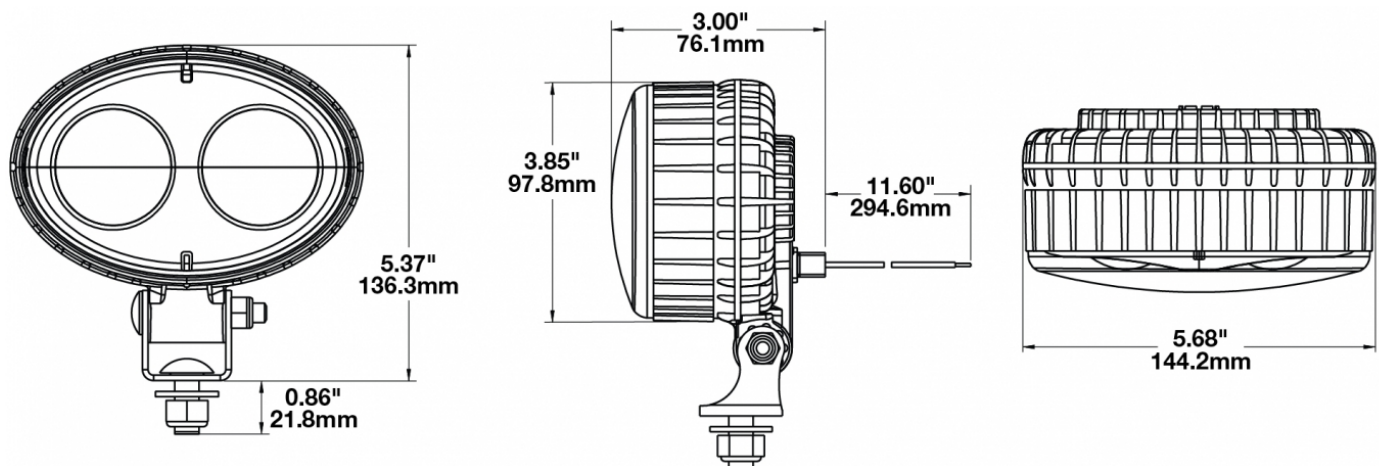
770 RED

PRODUCT INFORMATION

Description	12-110V LED Red Safety Spot Light
Height	137.16 mm / 5.4 in
Width	144.27 mm / 5.68 in
Depth	87.88 mm / 3.46 in
Shape	Oval
Outer Lens Material	Polycarbonate
Outer Lens Color	Clear
Housing Material	Polycarbonate
Housing Color	Black
Mounting Hardware Description	(x1) M10-1.5 x 25mm
Mounting Type	Universal Pedestal Mount
Minimum Operating Temperature	-40 °C / -40 °F
Maximum Operating Temperature	65 °C / 149 °F
Connector or Wiring	Integrated
Mating Connector	AMP (#180923)
Product Weight	1.31 lbs / 0.59 kgs
Shipping Weight	1.31 lbs / 0.59 kgs



PRODUCT DIMENSIONS



Print date: 2017-09-24

© 2017 J.W. Speaker Corporation • Germantown, WI U.S.A.
 www.jwspeaker.com • speaker@jwspeaker.com • 262.251.6660

J.W. SPEAKER
 Engineered. Lighting. Solutions.

LED Material Handling Safety Lights - Model 770 RED

ELECTRICAL SPECIFICATIONS

Input Voltage	12-110V DC
Operating Voltage	9-120V DC
Red Wire	Positive
Black Wire	Negative
Current Draw	0.19A @ 12V DC 0.05A @ 60V DC 0.04A @ 110V DC

REGULATORY STANDARDS COMPLIANCE



Buy America Standards
IEC IP69K
Tested to ECE Reg. 10
(Radiated Emissions only)

Eco Friendly
SAE J1455
UL Recognized

PHOTOMETRIC SPECIFICATIONS

Nominal LED Color Temperature	5000 K
Beam Pattern(s)	Forward Lighting - Spot

APPLICATIONS



Print date: 2017-09-24

© 2017 J.W. Speaker Corporation • Germantown, WI U.S.A.
www.jwspeaker.com • speaker@jwspeaker.com • 262.251.6660