

LED Forklift Safety Light and Warning Light - Model 770 BLU

PRODUCT INFORMATION

Description	12-110V LED Blue Arrow Material Handling Safety Light
Height	137.16 mm / 5.4 in
Width	144.27 mm / 5.68 in
Depth	87.88 mm / 3.46 in
Shape	Oval
Outer Lens Material	Polycarbonate
Outer Lens Color	Clear
Housing Material	Polycarbonate
Housing Color	Black
Bezel Color	Black
Mounting Hardware Description	(x1) M10-25mm
Mounting Type	Universal Pedestal Mount
Minimum Operating Temperature	-40 °C / -40 °F
Maximum Operating Temperature	65 °C / 149 °F
Connector or Wiring	Integrated
Mating Connector	AMP (#180923)
Product Weight	1.31 lbs / 0.59 kgs
Shipping Weight	10.15 lbs / 4.6 kgs

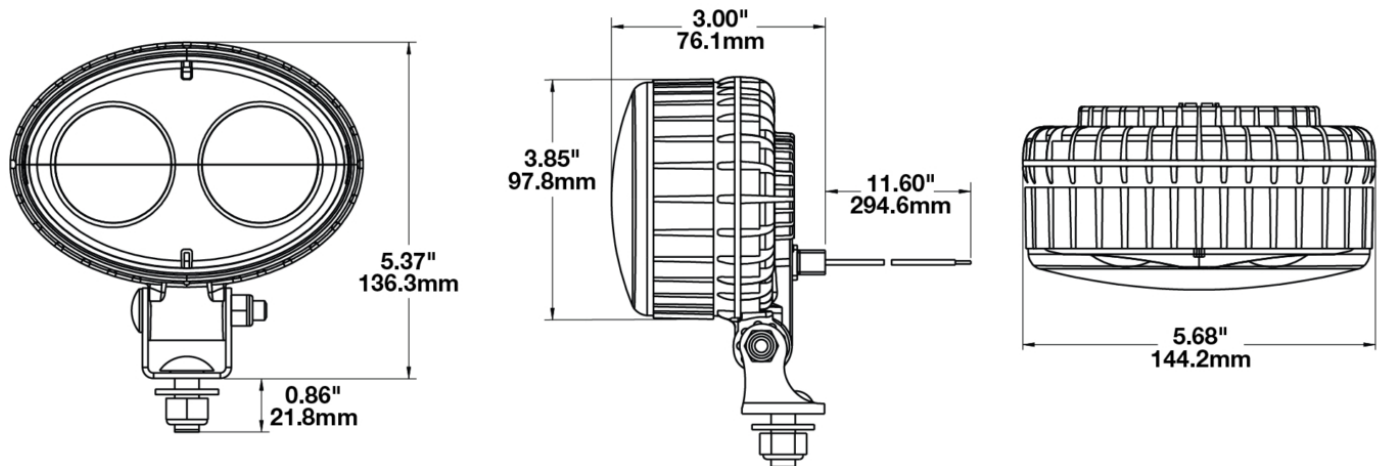


Print date: 2024-10-15

© 2024 J.W. Speaker Corporation • Germantown, WI U.S.A.
www.jwspeaker.com • speaker@jwspeaker.com • 262.251.6660

LED Forklift Safety Light and Warning Light - Model 770 BLU

PRODUCT DIMENSIONS



ELECTRICAL SPECIFICATIONS

Input Voltage	12-110V DC
Operating Voltage	9-120V DC
Red Wire	Positive
Black Wire	Negative
Current Draw	0.50A @ 12V DC 0.12A @ 60V DC 0.08A @ 110V DC

REGULATORY STANDARDS COMPLIANCE



Buy America Standards
IEC IP69K

UL Recognized

Eco Friendly
Tested to ECE Reg. 10
(Radiated Emissions only)

Print date: 2024-10-15

© 2024 J.W. Speaker Corporation • Germantown, WI U.S.A.
www.jwspeaker.com • speaker@jwspeaker.com • 262.251.6660

LED Forklift Safety Light and Warning Light - Model 770 BLU

PHOTOMETRIC SPECIFICATIONS

Beam Pattern(s) Forward Lighting - Spot

APPLICATIONS



PRODUCT WARNINGS

For California residents:

⚠ **WARNING:** Cancer and reproductive harm - www.P65Warnings.ca.gov.

⚠ **AVERTISSEMENT:** Cancer et effet nocif sur la reproduction - www.P65Warnings.ca.gov.

RELATED PRODUCTS



Part Number

1706311

12-110V LED Blue
Material Handling
Safety Light