

# LED Work Light - Model 881 XD

## PRODUCT INFORMATION

<b>Description</b>	12-24V LED Work Light with Trapezoid Beam Pattern
<b>Height</b>	178.82 mm / 7.04 in
<b>Width</b>	91.69 mm / 3.61 in
<b>Depth</b>	47.75 mm / 1.88 in
<b>Shape</b>	Rectangular
<b>Outer Lens Material</b>	Polycarbonate
<b>Outer Lens Color</b>	Clear
<b>Housing Material</b>	Polycarbonate
<b>Housing Color</b>	Black
<b>Mounting Hardware Description</b>	(x1) 5/16"-18 x 1.00" Mounting Bolt
<b>Mounting Type</b>	Universal Pedestal Mount
<b>Minimum Operating Temperature</b>	-40 °C / -40 °F
<b>Maximum Operating Temperature</b>	65 °C / 149 °F
<b>Connector or Wiring</b>	Integrated 2-Pin Deutsch Weather-Proof Socket (DT04-2P)
<b>Mating Connector</b>	2-Pin Deutsch Weather-Proof Plug (DT06-2S)
<b>Product Weight</b>	1.16 lbs / 0.53 kgs



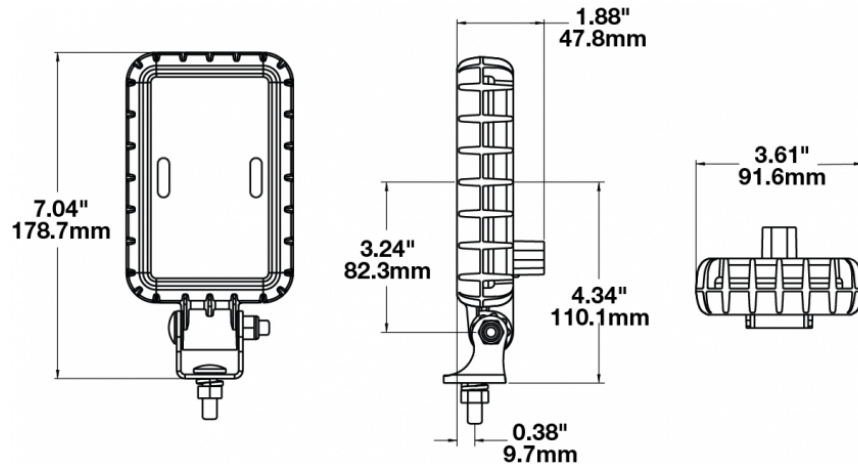
Print date: 2018-04-21

© 2018 J.W. Speaker Corporation • Germantown, WI U.S.A.  
 www.jwspeaker.com • speaker@jwspeaker.com • 262.251.6660

**J.W. SPEAKER**®  
 Engineered. Lighting. Solutions.

# LED Work Light - Model 881 XD

## PRODUCT DIMENSIONS



## ELECTRICAL SPECIFICATIONS

<b>Input Voltage</b>	12-24V DC
<b>Operating Voltage</b>	9-32V DC
<b>Transient Spike Protection</b>	330V Peak @ 1 HZ-100 Pulses
<b>Red Wire</b>	Positive
<b>Black Wire</b>	Negative
<b>Current Draw</b>	1.00A @ 12V DC 0.48A @ 24V DC

## REGULATORY STANDARDS COMPLIANCE



Buy America Standards  
IEC IP69K  
Tested to ECE Reg. 10  
(Radiated Emissions only)

Eco Friendly  
SAE J1455  
UL Recognized

Print date: 2018-04-21

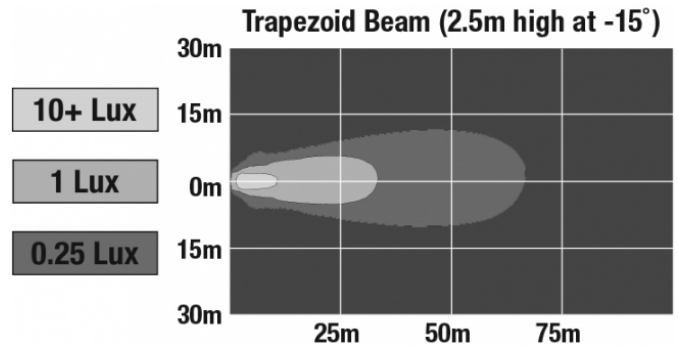
© 2018 J.W. Speaker Corporation • Germantown, WI U.S.A.  
www.jwspeaker.com • speaker@jwspeaker.com • 262.251.6660

**J.W. SPEAKER®**  
Engineered. Lighting. Solutions.

# LED Work Light - Model 881 XD

## PHOTOMETRIC SPECIFICATIONS

<b>Raw Lumen Output</b>	1,680
<b>Effective Lumen Output</b>	900
<b>Nominal LED Color Temperature</b>	5000 K
<b>Beam Pattern(s)</b>	Forward Lighting - Trapezoid



## APPLICATIONS



## ACCESSORIES



**Part Number**  
**8200011**  
Magnet Mount Kit for  
XD Series Work Lights



**Part Number**  
**8200101**  
Stainless Steel  
Mounting Kit for Work  
Lights & Marine Lights

Print date: 2018-04-21

© 2018 J.W. Speaker Corporation • Germantown, WI U.S.A.  
www.jwspeaker.com • speaker@jwspeaker.com • 262.251.6660

# LED Work Light - Model 881 XD

## RELATED PRODUCTS

---



**Part Number**  
**1603271**

12-24V LED Work Light  
with Spot Beam  
Pattern



**Part Number**  
**1603291**

12-24V LED Work Light  
with Flood Beam  
Pattern