

LED Work Light - Model 8625 XD

PRODUCT INFORMATION

Description	12-24V LED Work Light with Trapezoid Beam Pattern
Height	150.37 mm / 5.92 in
Width	150.37 mm / 5.92 in
Depth	45.97 mm / 1.81 in
Shape	Round
Outer Lens Material	Polycarbonate
Outer Lens Color	Clear
Housing Material	Polycarbonate
Housing Color	Black
Mounting Hardware Description	Panel Mount
Minimum Operating Temperature	-40 °C / -40 °F
Maximum Operating Temperature	65 °C / 149 °F
Connector or Wiring	Integrated 2-Pin Deutsch Weather-Proof Socket (DT04-2P)
Mating Connector	None, Bare Wires
Product Weight	0.00 lbs / 0 kgs
Shipping Weight	0.19 lbs / 0.09 kgs



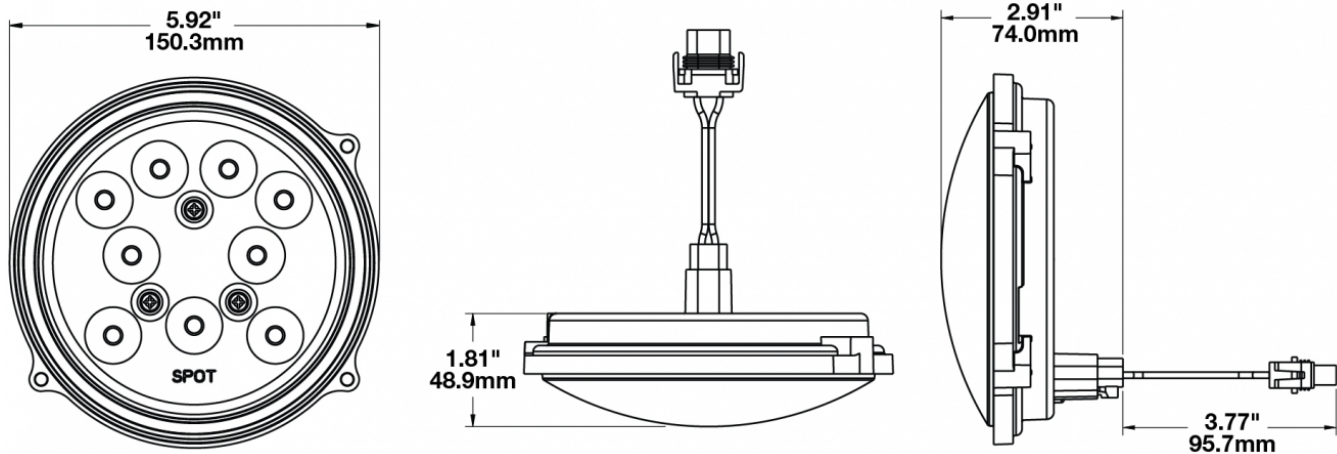
Print date: 2018-09-24

© 2018 J.W. Speaker Corporation • Germantown, WI U.S.A.
www.jwspeaker.com • speaker@jwspeaker.com • 262.251.6660

J.W. SPEAKER 
Engineered. Lighting. Solutions.

LED Work Light - Model 8625 XD

PRODUCT DIMENSIONS



ELECTRICAL SPECIFICATIONS

Input Voltage	12-24V DC
Operating Voltage	10-33V DC
Transient Spike Protection	330V Peak @ 1 HZ-100 Pulses
Red Wire	Positive
Black Wire	Negative
Current Draw	2A @ 12V DC 1A @ 24V DC

REGULATORY STANDARDS COMPLIANCE



Buy America Standards
IEC IP69K

Eco Friendly

Print date: 2018-09-24

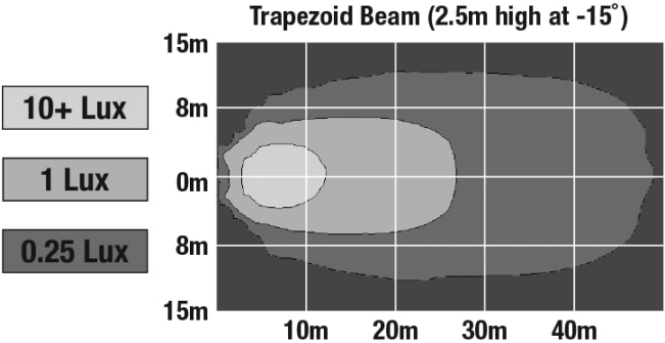
© 2018 J.W. Speaker Corporation • Germantown, WI U.S.A.
www.jwspeaker.com • speaker@jwspeaker.com • 262.251.6660

J.W. SPEAKER
Engineered. Lighting. Solutions.

LED Work Light - Model 8625 XD

PHOTOMETRIC SPECIFICATIONS

Raw Lumen Output 1,700
Effective Lumen Output 1,060
Nominal LED Color Temperature 5000 K
Beam Pattern(s) Forward Lighting - Spot



APPLICATIONS



RELATED PRODUCTS



Part Number
1501671
 12-24V LED Work Light
 with Spot Beam
 Pattern



Part Number
1501691
 12-24V LED Work Light
 with Flood Beam
 Pattern

Print date: 2018-09-24

© 2018 J.W. Speaker Corporation • Germantown, WI U.S.A.
 www.jwspeaker.com • speaker@jwspeaker.com • 262.251.6660

