

# LED Work Lights - Model 771 XD

## PRODUCT INFORMATION

<b>Description</b>	12-48V LED Work Light with Flood Beam Pattern
<b>Height</b>	180.34 mm / 7.1 in
<b>Width</b>	99.57 mm / 3.92 in
<b>Depth</b>	51.05 mm / 2.01 in
<b>Shape</b>	Oval
<b>Outer Lens Material</b>	Polycarbonate
<b>Outer Lens Color</b>	Clear
<b>Housing Material</b>	Polycarbonate
<b>Housing Color</b>	Black
<b>Mounting Hardware Description</b>	(x1) 5/16"-18 x 1.00" Mounting Bolt
<b>Mounting Type</b>	Universal Pedestal Mount
<b>Minimum Operating Temperature</b>	-40 °C / -40 °F
<b>Maximum Operating Temperature</b>	65 °C / 149 °F
<b>Connector or Wiring</b>	Integrated 2-Pin Deutsch Weather-Proof Socket (DT04-2P)
<b>Mating Connector</b>	2-Pin Deutsch Weather-Proof Plug (DT06-2S)
<b>Product Weight</b>	0.75 lbs / 0.34 kgs
<b>Shipping Weight</b>	6.65 lbs / 3.02 kgs



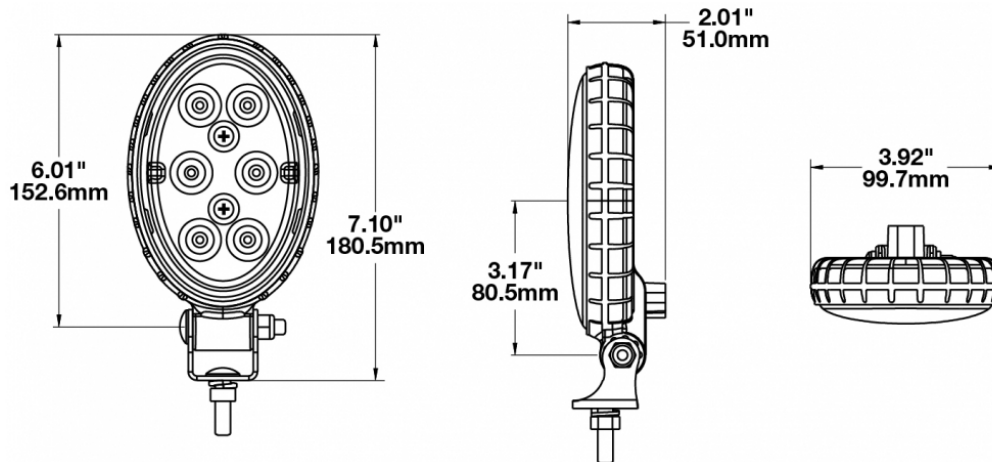
Print date: 2020-07-06

© 2020 J.W. Speaker Corporation • Germantown, WI U.S.A.  
 www.jwspeaker.com • speaker@jwspeaker.com • 262.251.6660

**J.W. SPEAKER**®  
 Engineered. Lighting. Solutions.

# LED Work Lights - Model 771 XD

## PRODUCT DIMENSIONS



## ELECTRICAL SPECIFICATIONS

<b>Input Voltage</b>	12-48V DC
<b>Operating Voltage</b>	10-55V DC
<b>Transient Spike Protection</b>	330V Peak @ 1 HZ-100 Pulses
<b>Red Wire</b>	Positive
<b>Black Wire</b>	Negative
<b>Current Draw</b>	1.00A @ 12V DC 0.48A @ 24V DC 0.33A @ 36V DC 0.25A @ 48V DC

Print date: 2020-07-06

© 2020 J.W. Speaker Corporation • Germantown, WI U.S.A.  
www.jwspeaker.com • speaker@jwspeaker.com • 262.251.6660

# LED Work Lights - Model 771 XD

## REGULATORY STANDARDS COMPLIANCE



Buy America Standards

CISPR 22

IEC IP67

UL Recognized

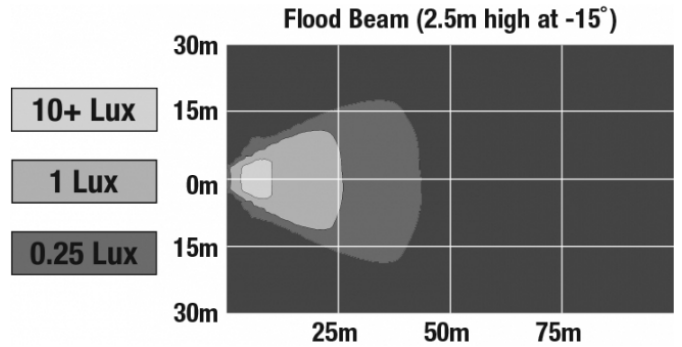
CISPR 12

Eco Friendly

Tested to ECE Reg. 10  
(Radiated Emissions only)

## PHOTOMETRIC SPECIFICATIONS

- Raw Lumen Output** 900
- Effective Lumen Output** 700
- Nominal LED Color Temperature** 5000 K
- Beam Pattern(s)** Forward Lighting - Flood (Standard)



## APPLICATIONS



Print date: 2020-07-06

© 2020 J.W. Speaker Corporation • Germantown, WI U.S.A.  
www.jwspeaker.com • speaker@jwspeaker.com • 262.251.6660



# LED Work Lights - Model 771 XD

## PRODUCT WARNINGS

---

For California residents:

⚠ **WARNING:** Cancer and reproductive harm - [www.P65Warnings.ca.gov](http://www.P65Warnings.ca.gov).

⚠ **AVERTISSEMENT:** Cancer et effet nocif sur la reproduction - [www.P65Warnings.ca.gov](http://www.P65Warnings.ca.gov).

## ACCESSORIES

---



**Part Number**  
**8200011**

Magnet Mount Kit for  
XD Series Work Lights



**Part Number**  
**8200101**

Stainless Steel  
Mounting Kit for Work  
Lights & Marine Lights



**Part Number**  
**8200121**

Black Mount Kit for XD  
Series Work Lights

## RELATED PRODUCTS

---



**Part Number**  
**1706171**

12-48V LED Work Light  
with Vertical Flood  
Beam Pattern



**Part Number**  
**1706191**

12-48V LED Work Light  
with Spot Beam  
Pattern



**Part Number**  
**1706221**

12-24V LED Amber  
Work Light

Print date: 2020-07-06

© 2020 J.W. Speaker Corporation • Germantown, WI U.S.A.  
[www.jwspeaker.com](http://www.jwspeaker.com) • [speaker@jwspeaker.com](mailto:speaker@jwspeaker.com) • 262.251.6660