

# LED Work Lights - Model 770

## PRODUCT INFORMATION

<b>Description</b>	12V LED John Deere Work Light - Direct Replacement for RE198622 & RE198623
<b>Height</b>	136.00 mm / 5.35 in
<b>Width</b>	141.00 mm / 5.55 in
<b>Depth</b>	57.00 mm / 2.24 in
<b>Shape</b>	Oval
<b>Outer Lens Material</b>	Polycarbonate
<b>Outer Lens Color</b>	Clear
<b>Housing Material</b>	Polycarbonate
<b>Housing Color</b>	Black
<b>Mounting Hardware Description</b>	(x1)
<b>Mounting Type</b>	Universal Pedestal Mount
<b>Minimum Operating Temperature</b>	-40 °C / -40 °F
<b>Maximum Operating Temperature</b>	65 °C / 149 °F
<b>Connector or Wiring</b>	Integrated 2-Pin Packard Socket
<b>Mating Connector</b>	2-Pin Packard (12124817)
<b>Product Weight</b>	0.70 lbs / 0.32 kgs
<b>Shipping Weight</b>	7.50 lbs / 3.4 kgs



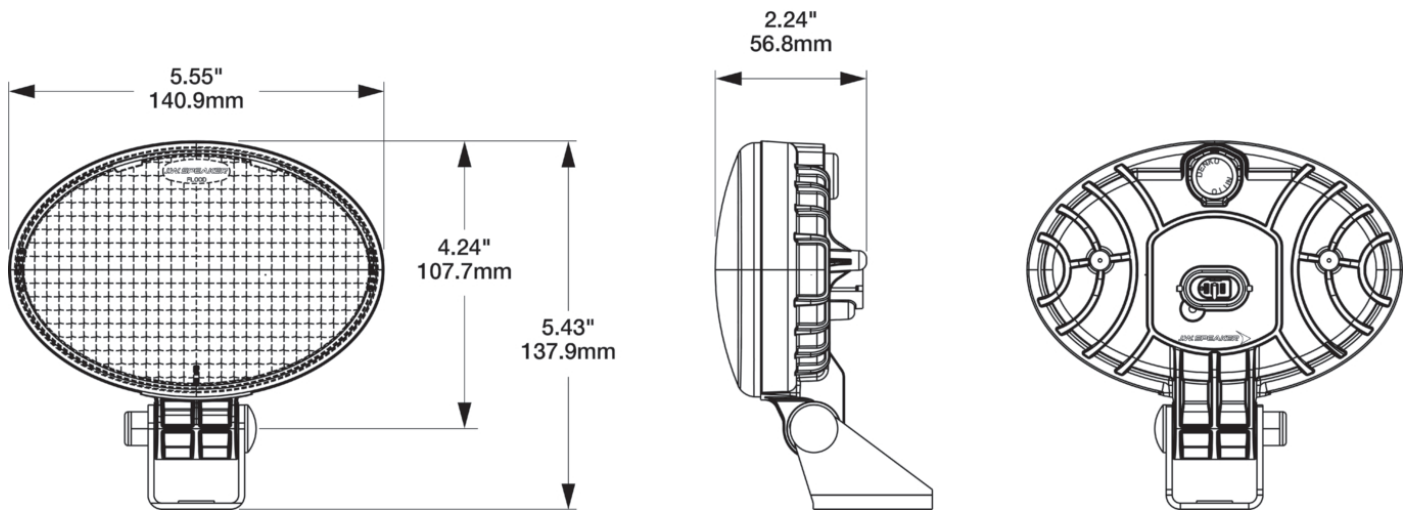
**Print date: 2026-06-02**

© 2026 J.W. Speaker Corporation • Germantown, WI U.S.A.  
 www.jwspeaker.com • speaker@jwspeaker.com • 262.251.6660

**J.W. SPEAKER**   
 Engineered. Lighting. Solutions.

# LED Work Lights - Model 770

## PRODUCT DIMENSIONS



## ELECTRICAL SPECIFICATIONS

<b>Input Voltage</b>	12V DC
<b>Operating Voltage</b>	9-16V DC
<b>Current Draw</b>	0.780A @ 12V DC (Worklamp)

## REGULATORY STANDARDS COMPLIANCE



IEC IP67

IEC IP69K

Print date: 2026-06-02

© 2026 J.W. Speaker Corporation • Germantown, WI U.S.A.  
 www.jwspeaker.com • speaker@jwspeaker.com • 262.251.6660

# LED Work Lights - Model 770

## PHOTOMETRIC SPECIFICATIONS

---

<b>Raw Lumen Output</b>	1930
<b>Effective Lumen Output</b>	845
<b>Candela Output</b>	310
<b>Nominal LED Color Temperature</b>	5700 K
<b>Beam Pattern(s)</b>	Forward Lighting - Flood (Standard)

## PRODUCT WARNINGS

---

For California residents:

**⚠ WARNING:** Cancer and reproductive harm - [www.P65Warnings.ca.gov](http://www.P65Warnings.ca.gov).

**⚠ AVERTISSEMENT:** Cancer et effet nocif sur la reproduction - [www.P65Warnings.ca.gov](http://www.P65Warnings.ca.gov).

## ACCESSORIES

---



**Part Number**

**8201311**

Connector Kit

(PACKARD 12124817)

---

**Print date: 2026-06-02**

© 2026 J.W. Speaker Corporation • Germantown, WI U.S.A.  
www.jwspeaker.com • speaker@jwspeaker.com • 262.251.6660

# LED Work Lights - Model 770

## RELATED PRODUCTS

---



**Part Number**  
**1707301**  
12V LED Work Light  
with Flood Beam  
Pattern with Pedestal  
Mount



**Part Number**  
**1707311**  
12V LED Work Light  
with Flood Beam  
Pattern with Pendant  
Mount



**Part Number**  
**1707321**  
12V LED CNH Work  
Light - Direct  
Replacement for  
87001315 & 87284332



**Part Number**  
**1707341**  
12V LED CNH Work  
Light - Direct  
Replacement for  
84520928 & 84564892



**Part Number**  
**1707361**  
12V LED John Deere  
Work Light - Direct  
Replacement for  
AXE16947, AH207789  
& AXE40244



**Part Number**  
**1707371**  
12V LED John Deere  
Work Light - Direct  
Replacement for  
AXE45388 &  
AXE43722