

LED Work Lights - Model 770

PRODUCT INFORMATION

Description	12V LED CNH Work Light - Direct Replacement for 84520928 & 84564892
Height	136.00 mm / 5.35 in
Width	141.00 mm / 5.55 in
Depth	57.00 mm / 2.24 in
Shape	Oval
Outer Lens Material	Polycarbonate
Outer Lens Color	Clear
Housing Material	Polycarbonate
Housing Color	Black
Mounting Hardware Description	(x1)
Mounting Type	Universal Pedestal Mount
Minimum Operating Temperature	-40 °C / -40 °F
Maximum Operating Temperature	65 °C / 149 °F
Connector or Wiring	Integrated 2-Pin Packard Socket
Mating Connector	2-Pin Packard (12124817)
Product Weight	0.58 lbs / 0.26 kgs
Shipping Weight	6.34 lbs / 2.88 kgs



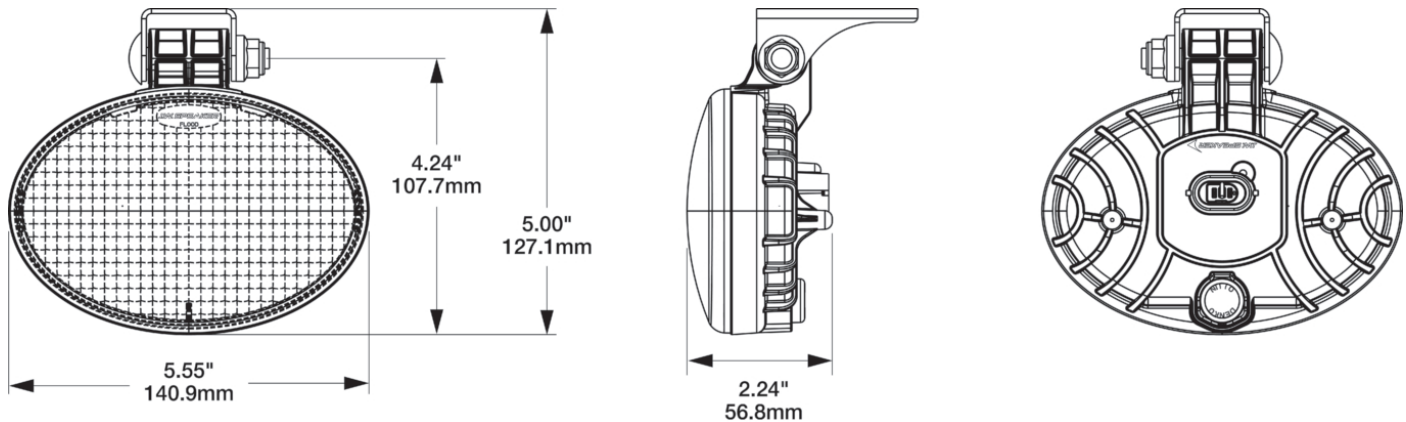
Print date: 2026-06-02

© 2026 J.W. Speaker Corporation • Germantown, WI U.S.A.
 www.jwspeaker.com • speaker@jwspeaker.com • 262.251.6660

J.W. SPEAKER 
 Engineered. Lighting. Solutions.

LED Work Lights - Model 770

PRODUCT DIMENSIONS



ELECTRICAL SPECIFICATIONS

Input Voltage	12V DC
Operating Voltage	9-16V DC
Current Draw	0.780A @ 12V DC (Worklamp)

REGULATORY STANDARDS COMPLIANCE



IEC IP67

IEC IP69K

Print date: 2026-06-02

© 2026 J.W. Speaker Corporation • Germantown, WI U.S.A.
 www.jwspeaker.com • speaker@jwspeaker.com • 262.251.6660

LED Work Lights - Model 770

PHOTOMETRIC SPECIFICATIONS

Raw Lumen Output	1930
Effective Lumen Output	845
Candela Output	310
Nominal LED Color Temperature	5700 K
Beam Pattern(s)	Forward Lighting - Flood (Standard)

PRODUCT WARNINGS

For California residents:

⚠ WARNING: Cancer and reproductive harm - www.P65Warnings.ca.gov.

⚠ AVERTISSEMENT: Cancer et effet nocif sur la reproduction - www.P65Warnings.ca.gov.

ACCESSORIES



Part Number

8201311

Connector Kit

(PACKARD 12124817)

Print date: 2026-06-02

© 2026 J.W. Speaker Corporation • Germantown, WI U.S.A.
www.jwspeaker.com • speaker@jwspeaker.com • 262.251.6660

LED Work Lights - Model 770

RELATED PRODUCTS



Part Number
1707301
12V LED Work Light
with Flood Beam
Pattern with Pedestal
Mount



Part Number
1707311
12V LED Work Light
with Flood Beam
Pattern with Pendant
Mount



Part Number
1707321
12V LED CNH Work
Light - Direct
Replacement for
87001315 & 87284332



Part Number
1707351
12V LED John Deere
Work Light - Direct
Replacement for
RE198622 &
RE198623



Part Number
1707361
12V LED John Deere
Work Light - Direct
Replacement for
AXE16947, AH207789
& AXE40244



Part Number
1707371
12V LED John Deere
Work Light - Direct
Replacement for
AXE45388 &
AXE43722