

LED Work Lights - Model 770

PRODUCT INFORMATION

Description	12V LED Work Light with Flood Beam Pattern with Pedestal Mount
Height	135.80 mm / 5.35 in
Width	140.90 mm / 5.55 in
Depth	56.80 mm / 2.24 in
Shape	Oval
Outer Lens Material	Polycarbonate
Outer Lens Color	Clear
Housing Material	Polycarbonate
Housing Color	Black
Mounting Hardware Description	(x1) 5/16"-18 x 1.25" Mounting Bolt
Mounting Type	Universal Pedestal Mount
Minimum Operating Temperature	-40 °C / -40 °F
Maximum Operating Temperature	65 °C / 149 °F
Connector or Wiring	Integrated 2-Pin Packard Socket
Mating Connector	2-Pin Packard (12124817)
Product Weight	0.37 lbs / 0.17 kgs
Shipping Weight	0.52 lbs / 0.24 kgs



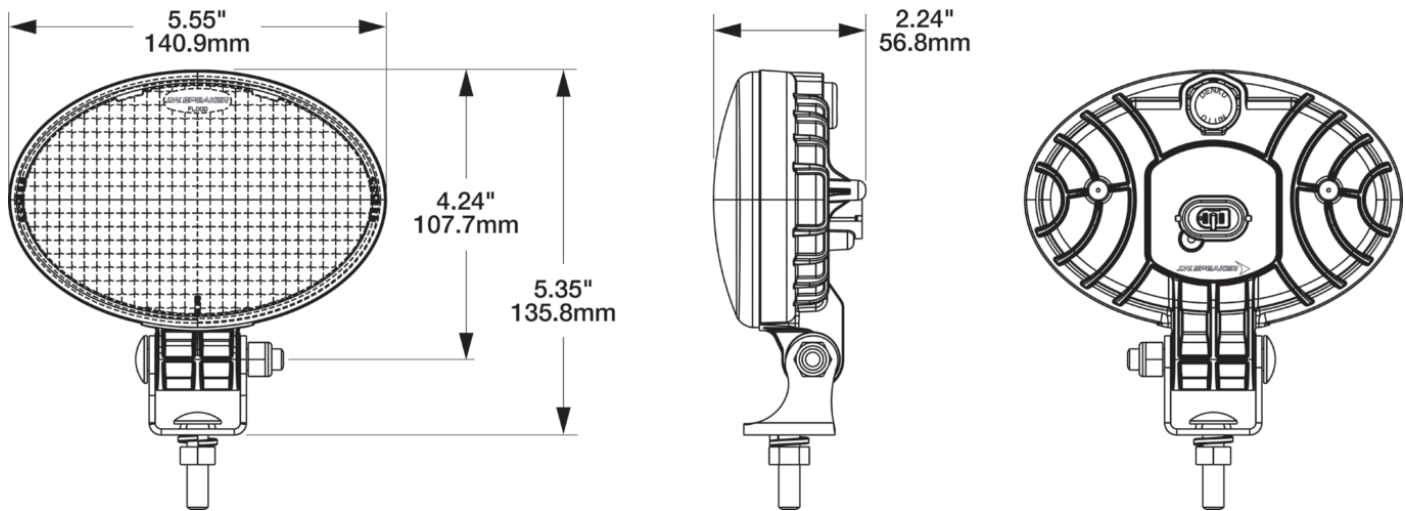
Print date: 2026-04-30

© 2026 J.W. Speaker Corporation • Germantown, WI U.S.A.
 www.jwspeaker.com • speaker@jwspeaker.com • 262.251.6660

J.W. SPEAKER 
 Engineered. Lighting. Solutions.

LED Work Lights - Model 770

PRODUCT DIMENSIONS



ELECTRICAL SPECIFICATIONS

Input Voltage	12V DC
Operating Voltage	9-16V DC
Current Draw	0.780A @ 12V DC

REGULATORY STANDARDS COMPLIANCE



IEC IP67

IEC IP69K

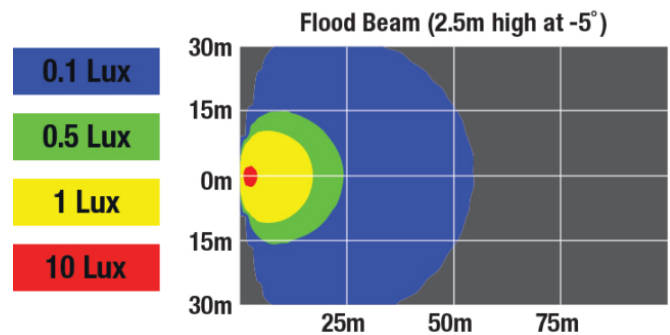
Print date: 2026-04-30

© 2026 J.W. Speaker Corporation • Germantown, WI U.S.A.
 www.jwspeaker.com • speaker@jwspeaker.com • 262.251.6660

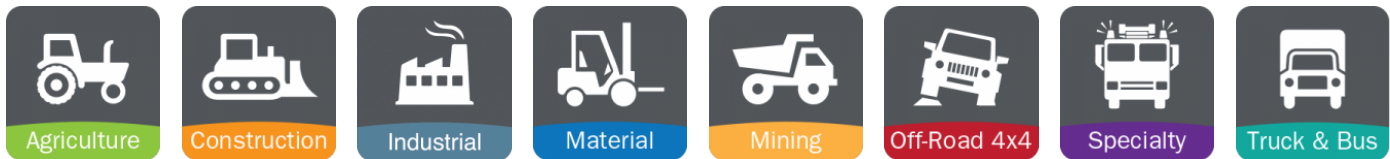
LED Work Lights - Model 770

PHOTOMETRIC SPECIFICATIONS

Raw Lumen Output	1930
Effective Lumen Output	845
Candela Output	310
Beam Pattern(s)	Forward Lighting - Flood (Standard)



APPLICATIONS



PRODUCT WARNINGS

For California residents:

⚠️ **WARNING:** Cancer and reproductive harm - www.P65Warnings.ca.gov.

⚠️ **AVERTISSEMENT:** Cancer et effet nocif sur la reproduction - www.P65Warnings.ca.gov.

ACCESSORIES



Part Number

8201311

Connector Kit
(PACKARD 12124817)

Print date: 2026-04-30

© 2026 J.W. Speaker Corporation • Germantown, WI U.S.A.
www.jwspeaker.com • speaker@jwspeaker.com • 262.251.6660

J.W. SPEAKER 
Engineered. Lighting. Solutions.

LED Work Lights - Model 770

RELATED PRODUCTS



Part Number
1707311
12V LED Work Light
with Flood Beam
Pattern with Pendant
Mount



Part Number
1707321
12V LED CNH Work
Light - Direct
Replacement for
87001315 & 87284332



Part Number
1707341
12V LED CNH Work
Light - Direct
Replacement for
84520928 & 84564892



Part Number
1707351
12V LED John Deere
Work Light - Direct
Replacement for
RE198622 &
RE198623



Part Number
1707361
12V LED John Deere
Work Light - Direct
Replacement for
AXE16947, AH207789
& AXE40244



Part Number
1707371
12V LED John Deere
Work Light - Direct
Replacement for
AXE45388 &
AXE43722