

LED Work Light - Model 736

PRODUCT INFORMATION

Description	12V LED Work Light with Vertical Flood Beam Pattern
Height	192.79 mm / 7.59 in
Width	99.57 mm / 3.92 in
Depth	89.41 mm / 3.52 in
Shape	Oval
Outer Lens Material	Glass
Outer Lens Color	Clear
Housing Material	Die-Cast Aluminum
Housing Color	Black
Mounting Hardware Description	(x1) 5/6"-18 x 0.58" Mounting Bolt
Mounting Type	Universal Pedestal Mount
Minimum Operating Temperature	-40 °C / -40 °F
Maximum Operating Temperature	65 °C / 149 °F
Connector or Wiring	Integrated 2-Pin Deutsch Weather-Proof Socket (DT04-2P)
Mating Connector	2-Pin Deutsch Weather-Proof Plug (DT06-2S)
Product Weight	2.20 lbs / 1 kgs
Shipping Weight	1.40 lbs / 0.64 kgs



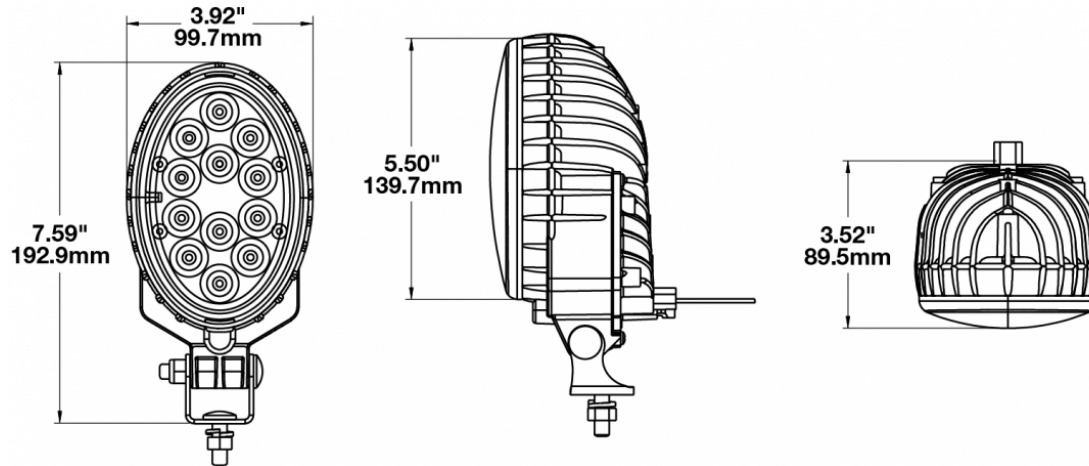
Print date: 2017-11-24

© 2017 J.W. Speaker Corporation • Germantown, WI U.S.A.
 www.jwspeaker.com • speaker@jwspeaker.com • 262.251.6660

J.W. SPEAKER®
 Engineered. Lighting. Solutions.

LED Work Light - Model 736

PRODUCT DIMENSIONS



ELECTRICAL SPECIFICATIONS

Input Voltage	12V DC
Operating Voltage	9-16V DC
Transient Spike Protection	150V Peak @ 1 HZ-100 Pulses
Red Wire	Positive
Black Wire	Negative
Current Draw	3.7A @ 12V DC

REGULATORY STANDARDS COMPLIANCE



Buy America Standards
IEC IP67

Eco Friendly
SAE J575

Print date: 2017-11-24

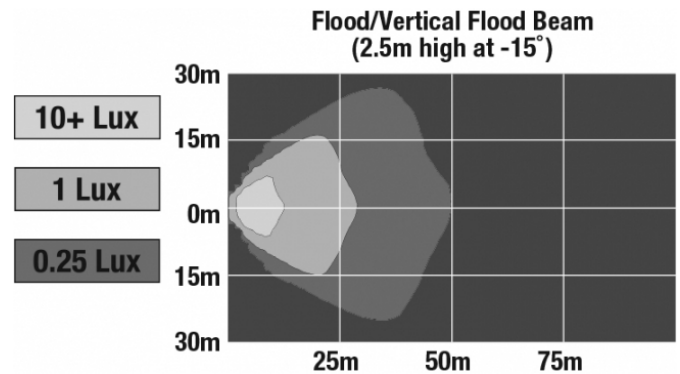
© 2017 J.W. Speaker Corporation • Germantown, WI U.S.A.
www.jwspeaker.com • speaker@jwspeaker.com • 262.251.6660

J.W. SPEAKER
Engineered. Lighting. Solutions.

LED Work Light - Model 736

PHOTOMETRIC SPECIFICATIONS

Raw Lumen Output	2,700
Effective Lumen Output	1,400
Nominal LED Color Temperature	5000 K
Beam Pattern(s)	Forward Lighting - Flood (Vertical)



APPLICATIONS



ACCESSORIES



Part Number
8200011

Magnet Mount Kit for
XD Series Work Lights

Print date: 2017-11-24

© 2017 J.W. Speaker Corporation • Germantown, WI U.S.A.
www.jwspeaker.com • speaker@jwspeaker.com • 262.251.6660