

LED Work Light - Model 735

PRODUCT INFORMATION

Description	12-24V LED Work Light with Spot Beam Pattern
Height	137.16 mm / 5.4 in
Width	144.27 mm / 5.68 in
Depth	66.04 mm / 2.6 in
Shape	Oval
Outer Lens Material	Polycarbonate
Outer Lens Color	Clear
Housing Material	Die-Cast Aluminum
Housing Color	Black
Mounting Hardware Description	(x1) 5/16"-18 x 0.58" Mounting Bolt
Mounting Type	Universal Pedestal Mount
Minimum Operating Temperature	-40 °C / -40 °F
Maximum Operating Temperature	65 °C / 149 °F
Connector or Wiring	Integrated 2-Pin Deutsch Weather-Proof Socket (DT04-2P)
Mating Connector	2-Pin Deutsch Weather-Proof Plug (DT06-2S)
Product Weight	1.55 lbs / 0.7 kgs
Shipping Weight	1.87 lbs / 0.85 kgs



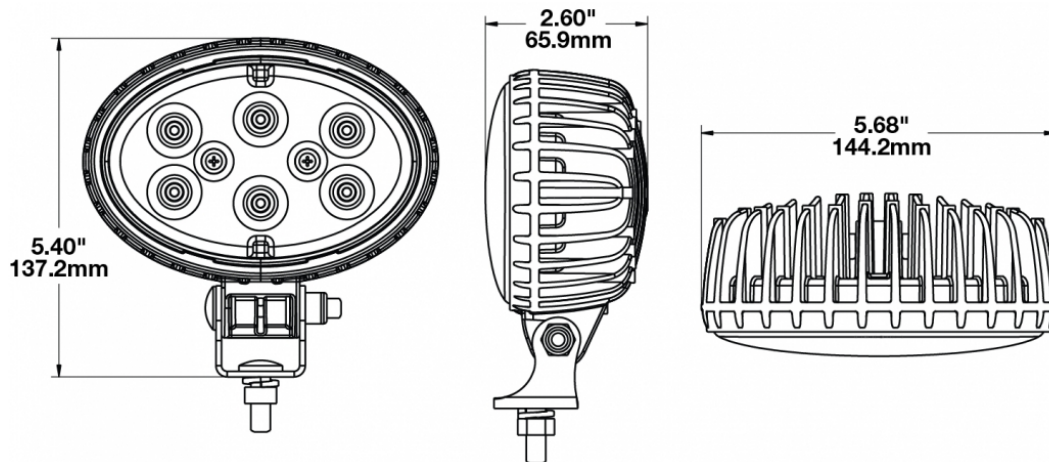
Print date: 2018-06-25

© 2018 J.W. Speaker Corporation • Germantown, WI U.S.A.
 www.jwspeaker.com • speaker@jwspeaker.com • 262.251.6660

J.W. SPEAKER 
 Engineered. Lighting. Solutions.

LED Work Light - Model 735

PRODUCT DIMENSIONS



ELECTRICAL SPECIFICATIONS

Input Voltage	12-24V DC
Operating Voltage	10-36V DC
Red Wire	Positive
Black Wire	Negative
Current Draw	3.50A @ 12V DC 1.75A @ 24V DC

REGULATORY STANDARDS COMPLIANCE



Buy America Standards
IEC IP69K

Eco Friendly

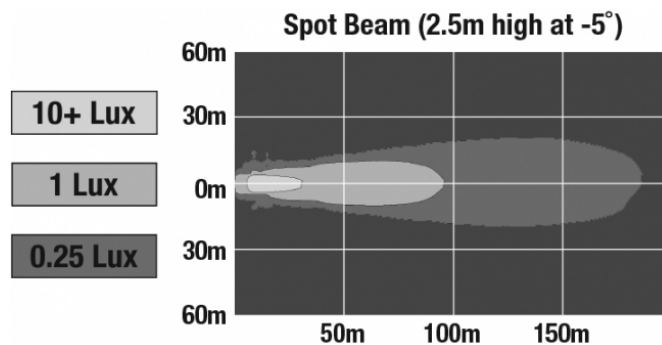
Print date: 2018-06-25

© 2018 J.W. Speaker Corporation • Germantown, WI U.S.A.
www.jwspeaker.com • speaker@jwspeaker.com • 262.251.6660

LED Work Light - Model 735

PHOTOMETRIC SPECIFICATIONS

Raw Lumen Output	3,900
Effective Lumen Output	2,600
Nominal LED Color Temperature	5700 K
Beam Pattern(s)	Forward Lighting - Spot



APPLICATIONS



RELATED PRODUCTS



Part Number
1706581

12-24V LED Work Light
with Trapezoid Beam
Pattern



Part Number
1706591

12-24V LED Work Light
with Flood Beam
Pattern

Print date: 2018-06-25

© 2018 J.W. Speaker Corporation • Germantown, WI U.S.A.
www.jwspeaker.com • speaker@jwspeaker.com • 262.251.6660