

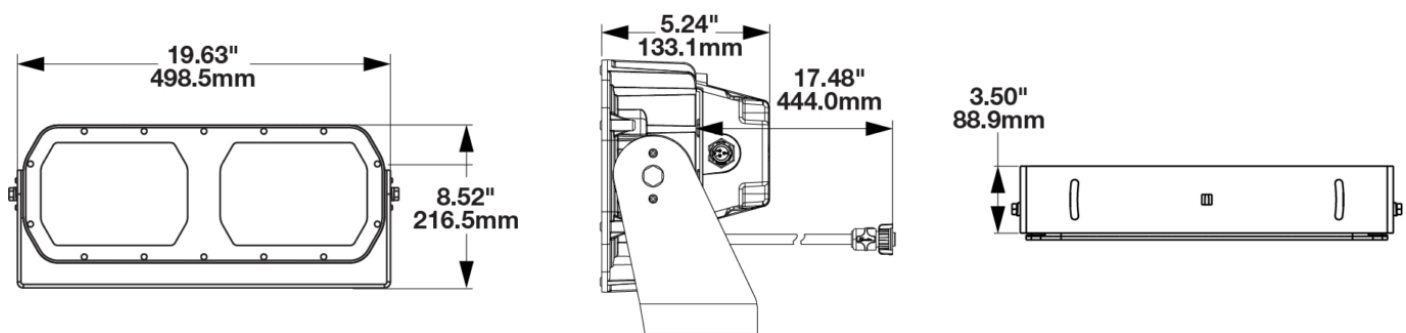
LED Work Light - Model 623

PRODUCT INFORMATION

Description	100-277V LED Work Light with Wide Flood Beam Pattern - Kit
Height	216.33 mm / 8.52 in
Width	498.52 mm / 19.63 in
Depth	74.80 mm / 2.94 in
Shape	Rectangular
Outer Lens Material	Glass
Outer Lens Color	Clear
Housing Material	Die-Cast Aluminum
Housing Color	Black
Bezel Color	Black
Mounting Type	Universal Pedestal Mount
Minimum Operating Temperature	-40 °C / -40 °F
Maximum Operating Temperature	90 °C / 194 °F
Product Weight	18.00 lbs / 8.16 kgs
Shipping Weight	19.49 lbs / 8.84 kgs



PRODUCT DIMENSIONS



Print date: 2019-02-20

© 2019 J.W. Speaker Corporation • Germantown, WI U.S.A.
www.jwspeaker.com • speaker@jwspeaker.com • 262.251.6660

J.W. SPEAKER
 Engineered. Lighting. Solutions.

LED Work Light - Model 623

ELECTRICAL SPECIFICATIONS

Input Voltage	100-277V AC
Operating Voltage	100-277V AC
White Wire	Power
Black Wire	Ground
Current Draw	4A @ 115V AC

REGULATORY STANDARDS COMPLIANCE



Buy America Standards
IEC IP67

Eco Friendly
IEC IP69K

PHOTOMETRIC SPECIFICATIONS

Raw Lumen Output	33,600
Effective Lumen Output	20,500
Nominal LED Color Temperature	5000 K
Beam Pattern(s)	Forward Lighting - Flood (Wide)

Print date: 2019-02-20

© 2019 J.W. Speaker Corporation • Germantown, WI U.S.A.
www.jwspeaker.com • speaker@jwspeaker.com • 262.251.6660

LED Work Light - Model 623

APPLICATIONS



ADDITIONAL INFORMATION

Kit Contents Include:

- Model 623 Light – 24V only version
- Model 6406 Driver (#0842311)
- Hardware Bag 1: with mounting hardware (3 each of bolts, nuts & washers)
- Hardware Bag 2: hardware to attach the #0842311 Driver to the back of the lamp (contains 4 Taptite screws) (#8200430)
- AC Input Harness – connects the Driver to the Model 623 Lamp (#3269651)

RELATED PRODUCTS



Part Number
0546671

16-60V LED Work Light
with Narrow Flood
Beam Pattern



Part Number
0546681

16-60V LED Work Light
with Medium Flood
Beam Pattern



Part Number
0546691

16-60V LED Work Light
with Wide Flood Beam
Pattern



Part Number
0556173

100-277V LED Work
Light with Narrow
Flood Beam Pattern -
Kit



Part Number
0556183

100-277V LED Work
Light with Medium
Flood Beam Pattern -
Kit

Print date: 2019-02-20

© 2019 J.W. Speaker Corporation • Germantown, WI U.S.A.
www.jwspeaker.com • speaker@jwspeaker.com • 262.251.6660