

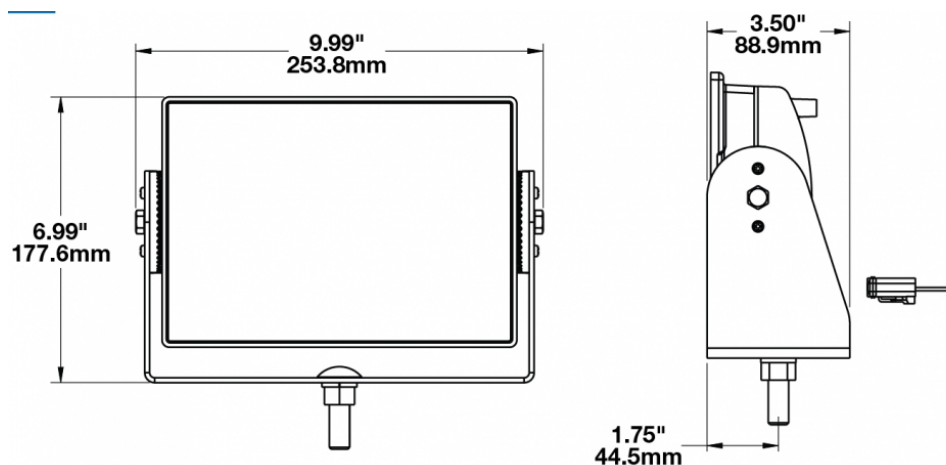
LED Work Light - Model 523

PRODUCT INFORMATION

Description	12-24V LED Work Light with Wide Flood Beam Pattern
Height	177.55 mm / 6.99 in
Width	253.75 mm / 9.99 in
Depth	88.90 mm / 3.5 in
Shape	Rectangular
Outer Lens Material	Glass
Outer Lens Color	Clear
Housing Material	Die-Cast Aluminum
Housing Color	Black
Mounting Hardware Description	(x1) 1/2"-Mounting Bolt
Mounting Type	Universal Pedestal Mount
Maximum Operating Temperature	65 °C / 149 °F
Connector or Wiring	Integrated 2-Pin Deutsch Weather-Proof Socket (DT04-2P)
Product Weight	6.72 lbs / 3.05 kgs
Shipping Weight	8.40 lbs / 3.81 kgs



PRODUCT DIMENSIONS



Print date: 2018-08-20

© 2018 J.W. Speaker Corporation • Germantown, WI U.S.A.
 www.jwspeaker.com • speaker@jwspeaker.com • 262.251.6660

J.W. SPEAKER
 Engineered. Lighting. Solutions.

LED Work Light - Model 523

ELECTRICAL SPECIFICATIONS

Input Voltage	12-24V DC
Current Draw	6.7A @ 12V DC 3.7A @ 24V DC

REGULATORY STANDARDS COMPLIANCE

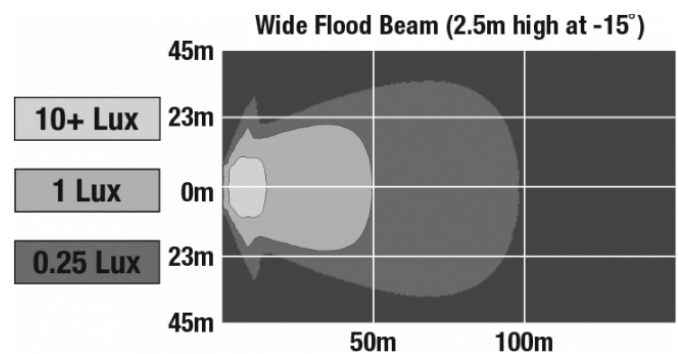


Buy America Standards
IEC IP67

Eco Friendly

PHOTOMETRIC SPECIFICATIONS

Raw Lumen Output	8,100
Effective Lumen Output	3,900
Nominal LED Color Temperature	5000 K
Beam Pattern(s)	Forward Lighting - Flood (Super Wide)



APPLICATIONS



Print date: 2018-08-20

© 2018 J.W. Speaker Corporation • Germantown, WI U.S.A.
www.jwspeaker.com • speaker@jwspeaker.com • 262.251.6660

LED Work Light - Model 523

RELATED PRODUCTS



Part Number
0549631

12-24V LED Work Light with Wide Flood Beam Pattern & Yellow Housing



Part Number
0549641

12-24V LED Work Light with Narrow Flood Beam Pattern & Yellow Housing



Part Number
0551431

12-24V LED Work Light with Medium Flood Beam Pattern



Part Number
0551441

12-24V LED Work Light with Narrow Flood Beam Pattern