

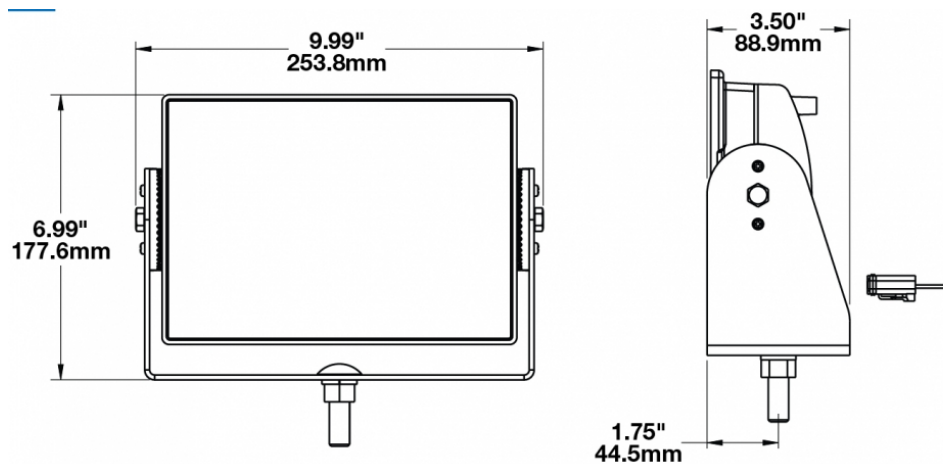
LED Work Light - Model 523

PRODUCT INFORMATION

Description	12-24V LED Wide Flood Beam with Magnetic Mount and Handy Carrying Case
Height	279.15 mm / 10.99 in
Width	287.02 mm / 11.3 in
Depth	127.00 mm / 5 in
Shape	Rectangular
Outer Lens Material	Polycarbonate
Outer Lens Color	Clear
Housing Material	Die-Cast Aluminum
Housing Color	Black
Mounting Type	Magnetic Mount
Minimum Operating Temperature	-40 °C / -40 °F
Maximum Operating Temperature	65 °C / 149 °F
Connector or Wiring	Integrated 2-Pin Deutsch Weather-Proof Socket (DT04-2P), 2-Pin Deutsch Weather-Proof Plug (DT06-2S)
Product Weight	8.81 lbs / 4 kgs



PRODUCT DIMENSIONS



Print date: 2018-05-20

© 2018 J.W. Speaker Corporation • Germantown, WI U.S.A.
 www.jwspeaker.com • speaker@jwspeaker.com • 262.251.6660

LED Work Light - Model 523

ELECTRICAL SPECIFICATIONS

Input Voltage	12-24V DC
Current Draw	6.7A @ 12V DC 3.7A @ 24V DC

REGULATORY STANDARDS COMPLIANCE

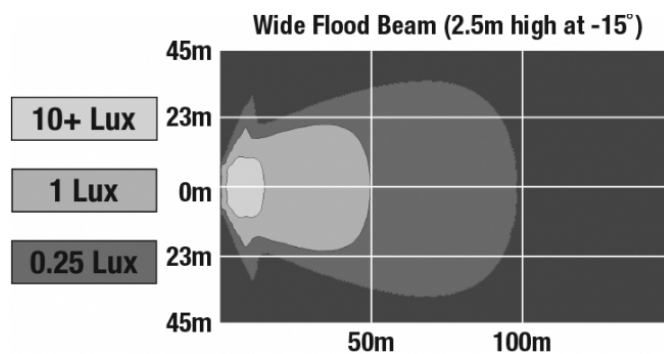


Buy America Standards
IEC IP67

Eco Friendly

PHOTOMETRIC SPECIFICATIONS

Raw Lumen Output	8,100
Effective Lumen Output	3,900
Nominal LED Color Temperature	5000 K
Beam Pattern(s)	Forward Lighting - Flood (Wide)



APPLICATIONS



Print date: 2018-05-20

© 2018 J.W. Speaker Corporation • Germantown, WI U.S.A.
www.jwspeaker.com • speaker@jwspeaker.com • 262.251.6660

LED Work Light - Model 523

RELATED PRODUCTS



Part Number
0549631

12-24V LED Work Light with Wide Flood Beam Pattern & Yellow Housing



Part Number
0549641

12-24V LED Work Light with Narrow Flood Beam Pattern & Yellow Housing



Part Number
0551431

12-24V LED Work Light with Medium Flood Beam Pattern



Part Number
0551441

12-24V LED Work Light with Narrow Flood Beam Pattern



Part Number
0551451

12-24V LED Work Light with Wide Flood Beam Pattern