

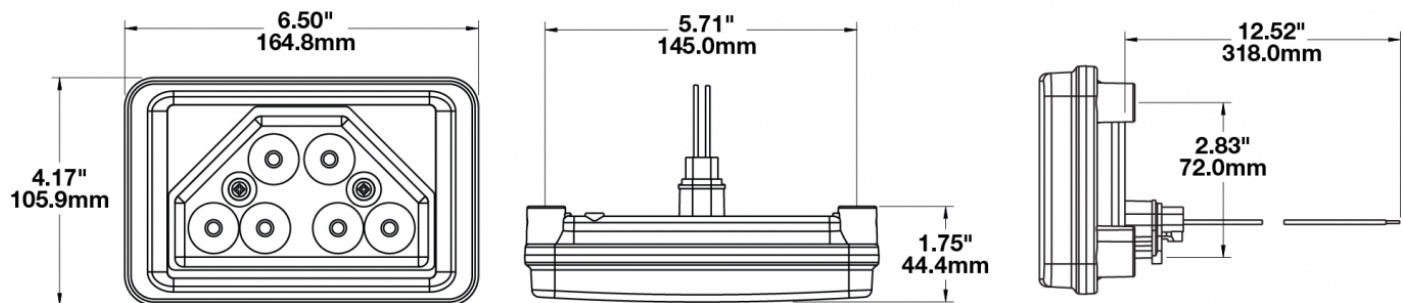
# LED Work Light - Model 518

## PRODUCT INFORMATION

<b>Description</b>	12-24V LED Work Light with Trapezoid Beam Pattern & Rubber Shock Mount
<b>Height</b>	148.59 mm / 5.85 in
<b>Width</b>	207.01 mm / 8.15 in
<b>Depth</b>	44.70 mm / 1.76 in
<b>Shape</b>	Rectangular
<b>Outer Lens Material</b>	Polycarbonate
<b>Outer Lens Color</b>	Clear
<b>Housing Material</b>	Polycarbonate
<b>Housing Color</b>	Chrome
<b>Mounting Type</b>	Low Profile Mount
<b>Minimum Operating Temperature</b>	-40 °C / -40 °F
<b>Maximum Operating Temperature</b>	65 °C / 149 °F
<b>Product Weight</b>	0.00 lbs / 0 kgs
<b>Additional Information</b>	Rubber Shock Mount



## PRODUCT DIMENSIONS



Print date: 2019-01-21

© 2019 J.W. Speaker Corporation • Germantown, WI U.S.A.  
 www.jwspeaker.com • speaker@jwspeaker.com • 262.251.6660

**J.W. SPEAKER**  
 Engineered. Lighting. Solutions.

# LED Work Light - Model 518

## ELECTRICAL SPECIFICATIONS

<b>Input Voltage</b>	12-24V DC
<b>Operating Voltage</b>	9-32V DC
<b>Transient Spike Protection</b>	330V Peak @ 1 HZ-100 Pulses
<b>Red Wire</b>	Positive
<b>Black Wire</b>	Negative
<b>Current Draw</b>	1.6A @ 12V DC 0.8A @ 24V DC

## REGULATORY STANDARDS COMPLIANCE



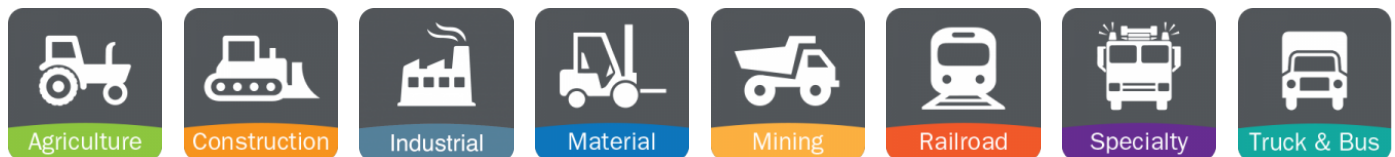
Buy America Standards  
IEC IP69K

Eco Friendly

## PHOTOMETRIC SPECIFICATIONS

<b>Raw Lumen Output</b>	1,700
<b>Effective Lumen Output</b>	1,000
<b>Nominal LED Color Temperature</b>	5000 K
<b>Beam Pattern(s)</b>	Forward Lighting - Trapezoid

## APPLICATIONS



Print date: 2019-01-21

© 2019 J.W. Speaker Corporation • Germantown, WI U.S.A.  
www.jwspeaker.com • speaker@jwspeaker.com • 262.251.6660

**J.W. SPEAKER**  
Engineered. Lighting. Solutions.

# LED Work Light - Model 518

## RELATED PRODUCTS

---



**Part Number**  
**1300271**

12-24V LED Work Light  
with Trapezoid Beam  
Pattern & Low Profile  
Mount



**Part Number**  
**1300281**

12-24V LED Work Light  
with Flood Beam  
Pattern & Low Profile  
Mount