

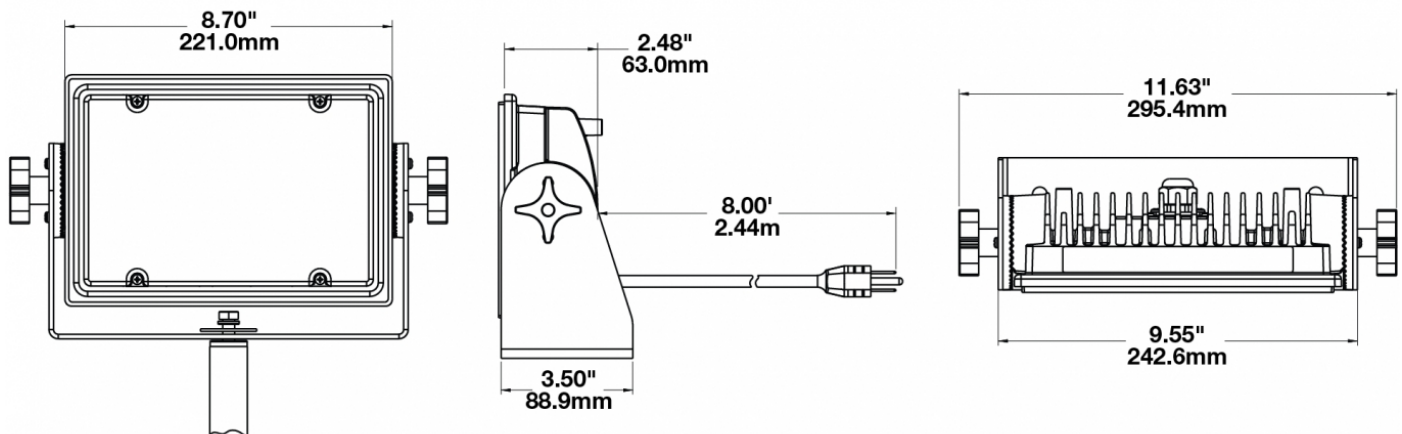
# LED Work Light Tripod Kit - Model 523

## PRODUCT INFORMATION

<b>Description</b>	120V LED Work Light Kit with Tripod
<b>Width</b>	300.48 mm / 11.83 in
<b>Depth</b>	88.90 mm / 3.5 in
<b>Shape</b>	Rectangular
<b>Outer Lens Material</b>	Polycarbonate
<b>Outer Lens Color</b>	Clear
<b>Housing Material</b>	Die-Cast Aluminum
<b>Housing Color</b>	Black
<b>Minimum Operating Temperature</b>	-40 °C / -40 °F
<b>Maximum Operating Temperature</b>	65 °C / 149 °F
<b>Connector or Wiring</b>	Integrated NEMA 5-15 Plug
<b>Product Weight</b>	12.00 lbs / 5.44 kgs



## PRODUCT DIMENSIONS



Print date: 2017-09-24

© 2017 J.W. Speaker Corporation • Germantown, WI U.S.A.  
 www.jwspeaker.com • speaker@jwspeaker.com • 262.251.6660

**J.W. SPEAKER**  
 Engineered. Lighting. Solutions.

# LED Work Light Tripod Kit - Model 523

## ELECTRICAL SPECIFICATIONS

<b>Input Voltage</b>	240V AC
<b>Operating Voltage</b>	240V AC
<b>Transient Spike Protection</b>	150V Peak @ 1 HZ-10 Pulses
<b>Red Wire</b>	Positive
<b>Black Wire</b>	Negative
<b>Current Draw</b>	0.6A @ 120V AC

## REGULATORY STANDARDS COMPLIANCE

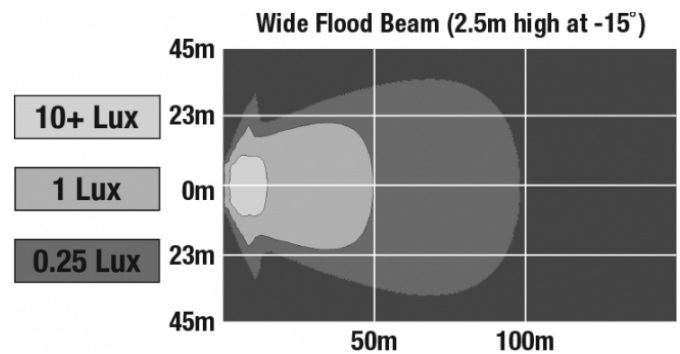


Buy America Standards  
IEC IP67

Eco Friendly

## PHOTOMETRIC SPECIFICATIONS

<b>Raw Lumen Output</b>	8,100
<b>Effective Lumen Output</b>	3,900
<b>Beam Pattern(s)</b>	Forward Lighting - Flood (Wide)



Print date: 2017-09-24

© 2017 J.W. Speaker Corporation • Germantown, WI U.S.A.  
www.jwspeaker.com • speaker@jwspeaker.com • 262.251.6660

# LED Work Light Tripod Kit - Model 523

## APPLICATIONS

---

