

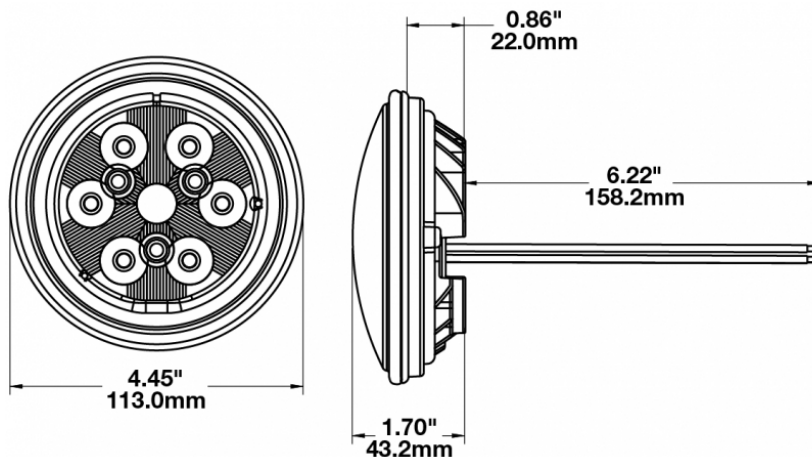
LED Work Light & Tail Light - Model 6043

PRODUCT INFORMATION

Description	12-24V LED Work Light & Tail Light
Height	113.03 mm / 4.45 in
Width	113.03 mm / 4.45 in
Depth	43.18 mm / 1.7 in
Shape	Round
Outer Lens Material	Polycarbonate
Outer Lens Color	Clear
Housing Material	Die-Cast Aluminum
Housing Color	Black
Retrofits	PAR36 Worklights
Minimum Operating Temperature	-40 °C / -40 °F
Maximum Operating Temperature	65 °C / 149 °F
Connector or Wiring	6" Bare Leads
Product Weight	0.65 lbs / 0.29 kgs
Shipping Weight	1.60 lbs / 0.73 kgs



PRODUCT DIMENSIONS



Print date: 2017-09-26

© 2017 J.W. Speaker Corporation • Germantown, WI U.S.A.
www.jwspeaker.com • speaker@jwspeaker.com • 262.251.6660

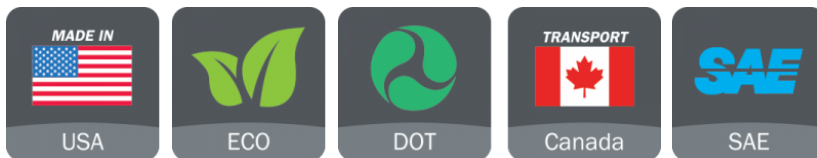
J.W. SPEAKER
 Engineered. Lighting. Solutions.

LED Work Light & Tail Light - Model 6043

ELECTRICAL SPECIFICATIONS

Input Voltage	12-24V DC
Transient Spike Protection	150V Peak @ 1 HZ-100 Pulses
Red Wire	Red Tail
White Wire	White Worklamp
Black Wire	Ground
Current Draw	0.60A @ 12V DC (Worklight) 0.11A @ 12V DC (Tail Light)

REGULATORY STANDARDS COMPLIANCE

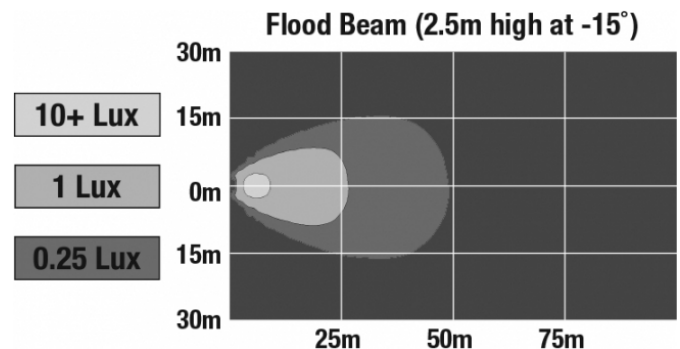


Buy America Standards
FMVSS 108 Table VIII
SAE J585

Eco Friendly
IEC IP67

PHOTOMETRIC SPECIFICATIONS

Raw Lumen Output	1,140 (Worklight)
Effective Lumen Output	700 (Worklight)
Nominal LED Color Temperature	5000 K
Beam Pattern(s)	Forward Lighting - Flood (Standard) Signalization - Tail



Print date: 2017-09-26

© 2017 J.W. Speaker Corporation • Germantown, WI U.S.A.
www.jwspeaker.com • speaker@jwspeaker.com • 262.251.6660

LED Work Light & Tail Light - Model 6043

APPLICATIONS

