

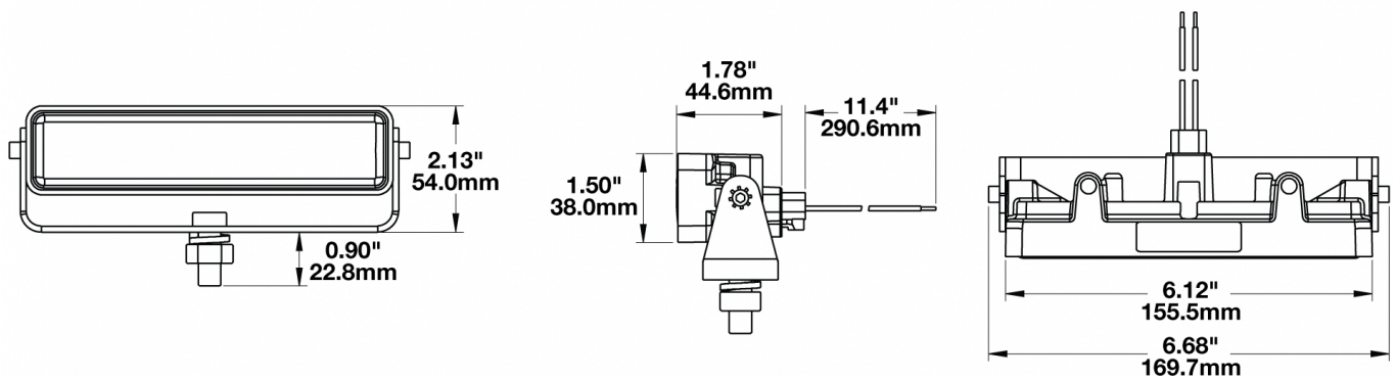
LED Work Light - Model 783 XD

PRODUCT INFORMATION

Description	12-48V LED Work Light with Flood Beam Pattern & No Mounting Bracket - Bulk Qty (18 MIN)
Height	54.10 mm / 2.13 in
Width	169.67 mm / 6.68 in
Depth	45.21 mm / 1.78 in
Shape	Rectangle
Outer Lens Material	Polycarbonate
Outer Lens Color	Clear
Housing Material	Polycarbonate
Housing Color	Black
Minimum Operating Temperature	-40 °C / -40 °F
Maximum Operating Temperature	65 °C / 149 °F
Connector or Wiring	Integral DT04-2P
Mating Connector	Deutsch DT06-2S
Product Weight	0.80 lbs / 0.36 kgs



PRODUCT DIMENSIONS



Print date: 2018-05-25

© 2018 J.W. Speaker Corporation • Germantown, WI U.S.A.
 www.jwspeaker.com • speaker@jwspeaker.com • 262.251.6660

J.W. SPEAKER
 Engineered. Lighting. Solutions.

LED Work Light - Model 783 XD

ELECTRICAL SPECIFICATIONS

Input Voltage	12-48V DC
Operating Voltage	9-60V DC
Transient Spike Protection	330V Peak @ 1 HZ-100 Pulses
Red Wire	Positive
Black Wire	Negative
Current Draw	1.00A @ 12V DC (Flood) 0.50A @ 24V DC (Flood) 0.30A @ 36V DC (Flood) 0.25A @ 48V DC (Flood)

REGULATORY STANDARDS COMPLIANCE

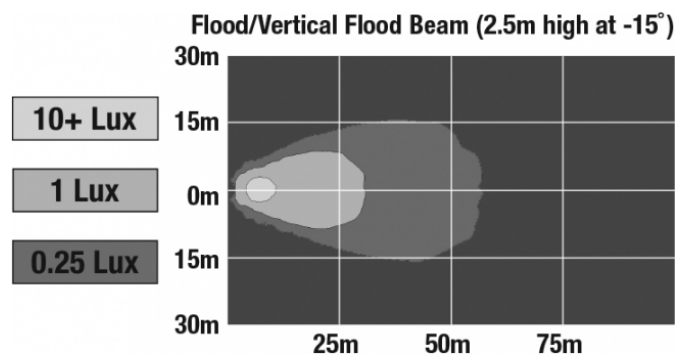


Buy America Standards
IEC IP67

Eco Friendly
UL Recognized

PHOTOMETRIC SPECIFICATIONS

Raw Lumen Output	675
Effective Lumen Output	485
Candela Output	1,409
Nominal LED Color Temperature	5000 K
Beam Pattern(s)	Forward Lighting - Flood (Standard)



Print date: 2018-05-25

© 2018 J.W. Speaker Corporation • Germantown, WI U.S.A.
www.jwspeaker.com • speaker@jwspeaker.com • 262.251.6660

LED Work Light - Model 783 XD

APPLICATIONS



Print date: 2018-05-25

© 2018 J.W. Speaker Corporation • Germantown, WI U.S.A.
www.jwspeaker.com • speaker@jwspeaker.com • 262.251.6660

LED Work Light - Model 783 XD

RELATED PRODUCTS



Part Number
1603391

12-48V LED Work Light with Flood Beam Pattern & Mounting Bracket



Part Number
1603392

12-48V LED Work Light with Flood Beam Pattern & Mounting Bracket - Bulk Qty (18 MIN)



Part Number
1603432

12-48V LED Work Light with Vertical Flood Beam Pattern & Mounting Bracket - Bulk Qty (18 MIN)



Part Number
1603442

12-48V LED Work Light with Vertical Flood Beam Pattern & No Mounting Bracket - Bulk Qty (18 MIN)



Part Number
1603451

12-48V LED Work Light with Vertical Flood Beam Pattern & Mounting Bracket



Part Number
1603472

12-48V LED Work Light with Flood Beam Pattern & No Mounting Bracket or Wire Harness - Bulk (18 MIN)