

LED Work Light - Model 4415

PRODUCT INFORMATION

Description	12-24V LED Work Light with Flood Pattern & Panel Mount
Height	85.50 mm / 3.37 in
Width	85.50 mm / 3.37 in
Depth	54.10 mm / 2.13 in
Shape	Round
Outer Lens Material	Polycarbonate
Outer Lens Color	Clear
Housing Material	Die-Cast Aluminum
Housing Color	Black
Bezel Color	NA
Mounting Hardware Description	(x3) M4-M4 Bolts
Mounting Type	Panel
Minimum Operating Temperature	-40 °C / -40 °F
Maximum Operating Temperature	65 °C / 149 °F
Connector or Wiring	Packard #12084167
Mating Connector	Packard #12059183
Product Weight	0.67 lbs / 0.3 kgs
Shipping Weight	0.87 lbs / 0.39 kgs



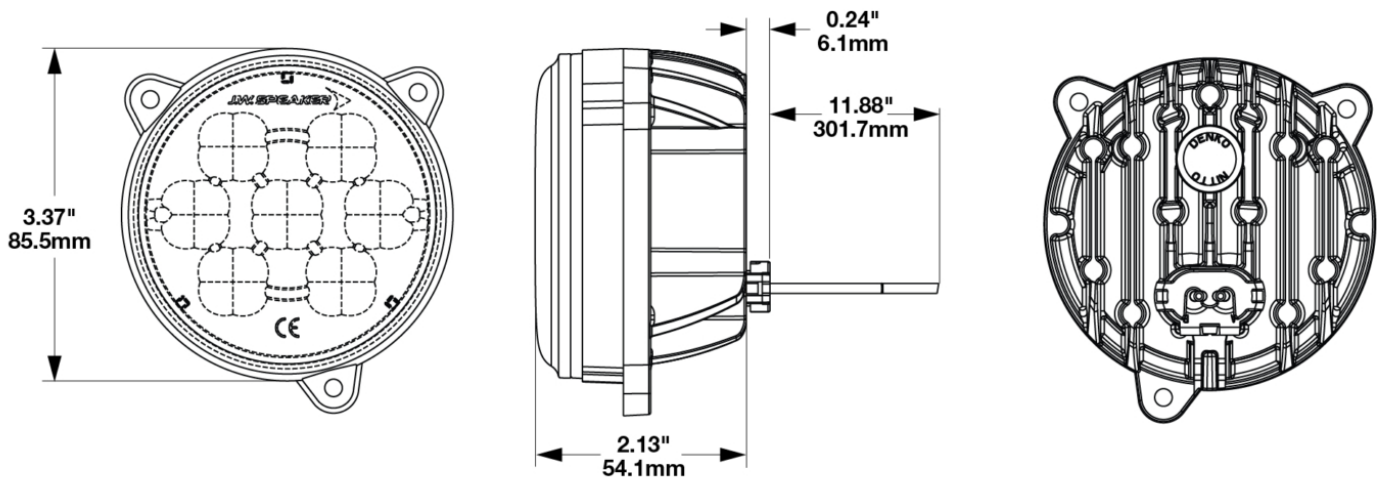
Print date: 2026-04-04

© 2026 J.W. Speaker Corporation • Germantown, WI U.S.A.
www.jwspeaker.com • speaker@jwspeaker.com • 262.251.6660

J.W. SPEAKER 
Engineered. Lighting. Solutions.

LED Work Light - Model 4415

PRODUCT DIMENSIONS



ELECTRICAL SPECIFICATIONS

Input Voltage	12-24V DC
Operating Voltage	10-32V DC
RED Wire	POSITIVE
BLACK Wire	NEGATIVE
Current Draw	2.20A @ 12V DC (ON) 1.10A @ 24V DC

REGULATORY STANDARDS COMPLIANCE



Buy America Standards
IEC IP67

Eco Friendly
IEC IP69K

Print date: 2026-04-04

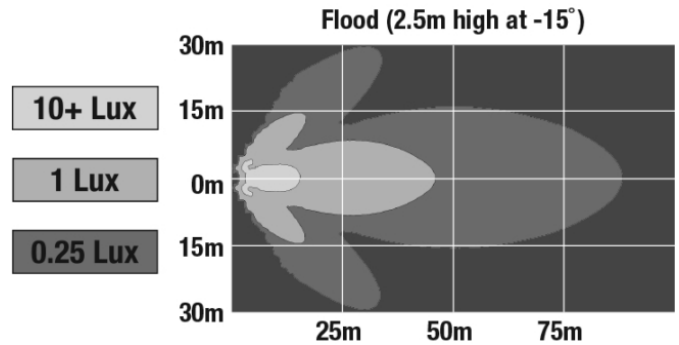
© 2026 J.W. Speaker Corporation • Germantown, WI U.S.A.
www.jwspeaker.com • speaker@jwspeaker.com • 262.251.6660

J.W. SPEAKER
Engineered. Lighting. Solutions.

LED Work Light - Model 4415

PHOTOMETRIC SPECIFICATIONS

Raw Lumen Output	3220
Effective Lumen Output	1700
Candela Output	2900
Nominal LED Color Temperature	2850 K
Beam Pattern(s)	Forward Lighting - Flood (Medium)



APPLICATIONS



PRODUCT WARNINGS

For California residents:

⚠ **WARNING:** Cancer and reproductive harm - www.P65Warnings.ca.gov.

⚠ **AVERTISSEMENT:** Cancer et effet nocif sur la reproduction - www.P65Warnings.ca.gov.

Print date: 2026-04-04

© 2026 J.W. Speaker Corporation • Germantown, WI U.S.A.
www.jwspeaker.com • speaker@jwspeaker.com • 262.251.6660

J.W. SPEAKER
 Engineered. Lighting. Solutions.

LED Work Light - Model 4415

ACCESSORIES



Part Number
3271561
4 PIN M12 CABLE, 10
m



Part Number
3271571
M12-RCA CONVERSION
CABLE



Part Number
6149203
A-Pillar Mounting Kit
for Jeep JK



Part Number
6149233
A-Pillar Mounting Kit
for Jeep TJ

RELATED PRODUCTS



Part Number
0551753
12-24V LED Work Light
with Spot Pattern &
Side View Mirror
Mount - 2 Light Kit



Part Number
0559913
12-24V LED Work Light
with Spot Pattern &
Side View Mirror
Mount with Camera - 2
Light Kit