

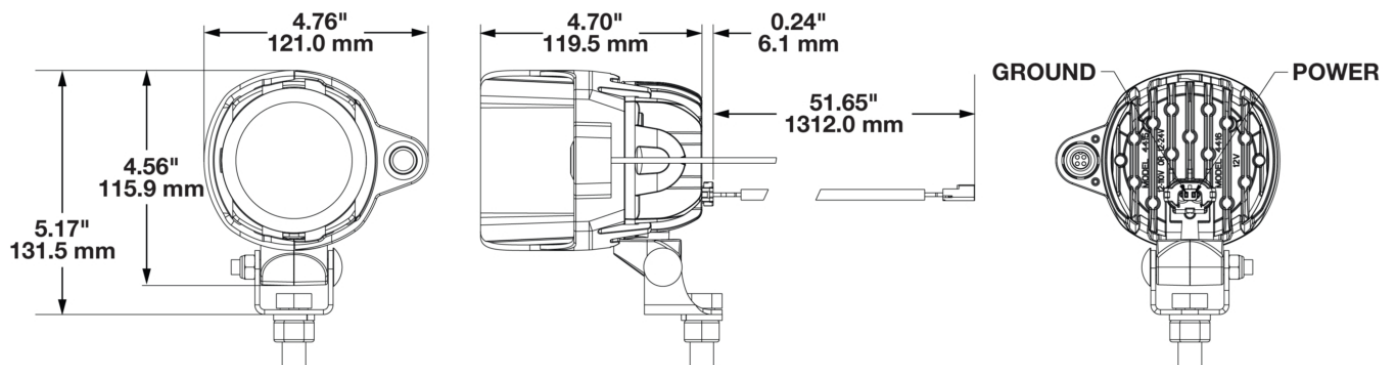
# LED Work Light - Model 4415

## PRODUCT INFORMATION

<b>Description</b>	12-24V LED Work Light with Spot Pattern & Side View Mirror Mount with Camera - 2 Light Kit
<b>Height</b>	110.00 mm / 4.33 in
<b>Width</b>	120.90 mm / 4.76 in
<b>Depth</b>	119.50 mm / 4.7 in
<b>Shape</b>	Round
<b>Outer Lens Material</b>	Polycarbonate
<b>Housing Color</b>	Black
<b>Mounting Hardware Description</b>	(x2) 0.500-13 x
<b>Minimum Operating Temperature</b>	-40 °C / -40 °F
<b>Maximum Operating Temperature</b>	85 °C / 185 °F
<b>Connector or Wiring</b>	Packard #12084167
<b>Mating Connector</b>	Packard #12059183
<b>Product Weight</b>	2.80 lbs / 1.27 kgs
<b>Shipping Weight</b>	3.34 lbs / 1.51 kgs



## PRODUCT DIMENSIONS



Print date: 2026-04-28

© 2026 J.W. Speaker Corporation • Germantown, WI U.S.A.  
 www.jwspeaker.com • speaker@jwspeaker.com • 262.251.6660

**J.W. SPEAKER**  
 Engineered. Lighting. Solutions.

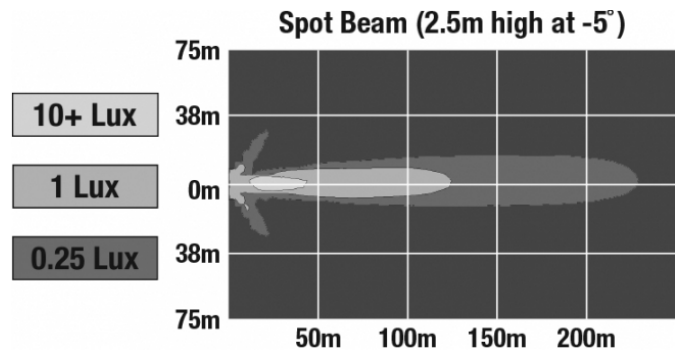
# LED Work Light - Model 4415

## ELECTRICAL SPECIFICATIONS

<b>Input Voltage</b>	12-24V AC
<b>Operating Voltage</b>	10-32V AC
<b>Red Wire</b>	Positive
<b>Black Wire</b>	Negative
<b>Current Draw</b>	2.20A @ 12V AC (Power) 1.10A @ 24V AC (Power)

## PHOTOMETRIC SPECIFICATIONS

<b>Raw Lumen Output</b>	2,450
<b>Effective Lumen Output</b>	1,350
<b>Nominal LED Color Temperature</b>	5000 K
<b>Beam Pattern(s)</b>	Forward Lighting - Spot



## APPLICATIONS



Print date: 2026-04-28

© 2026 J.W. Speaker Corporation • Germantown, WI U.S.A.  
www.jwspeaker.com • speaker@jwspeaker.com • 262.251.6660

# LED Work Light - Model 4415

## PRODUCT WARNINGS

---

For California residents:

**⚠ WARNING:** Cancer and reproductive harm - [www.P65Warnings.ca.gov](http://www.P65Warnings.ca.gov).

**⚠ AVERTISSEMENT:** Cancer et effet nocif sur la reproduction - [www.P65Warnings.ca.gov](http://www.P65Warnings.ca.gov).

## ACCESSORIES

---



**Part Number**  
**3271561**  
4 PIN M12 CABLE, 10  
m



**Part Number**  
**3271571**  
M12-RCA CONVERSION  
CABLE



**Part Number**  
**6149203**  
A-Pillar Mounting Kit  
for Jeep JK



**Part Number**  
**6149233**  
A-Pillar Mounting Kit  
for Jeep TJ

## RELATED PRODUCTS

---



**Part Number**  
**0551753**  
12-24V LED Work Light  
with Spot Pattern &  
Side View Mirror  
Mount - 2 Light Kit



**Part Number**  
**0560341**  
12-24V LED Work Light  
with Flood Pattern &  
Panel Mount