

# LED Work Light - Model 4415

## PRODUCT INFORMATION

---

<b>Description</b>	12-24V LED Work Light with Flood Pattern & Harness
<b>Height</b>	125.50 mm / 4.94 in
<b>Width</b>	85.00 mm / 3.35 in
<b>Depth</b>	56.90 mm / 2.24 in
<b>Shape</b>	Round
<b>Outer Lens Material</b>	Polycarbonate
<b>Outer Lens Color</b>	Clear
<b>Housing Material</b>	Die-Cast Aluminum
<b>Housing Color</b>	Black
<b>Mounting Hardware Description</b>	(x1) M8-1.25 x 55mm Bracket and Swivel
<b>Minimum Operating Temperature</b>	-40 °C / -40 °F
<b>Maximum Operating Temperature</b>	85 °C / 185 °F
<b>Mating Connector</b>	Packard Delphi #12059183
<b>Product Weight</b>	1.40 lbs / 0.64 kgs
<b>Shipping Weight</b>	1.25 lbs / 0.57 kgs



---

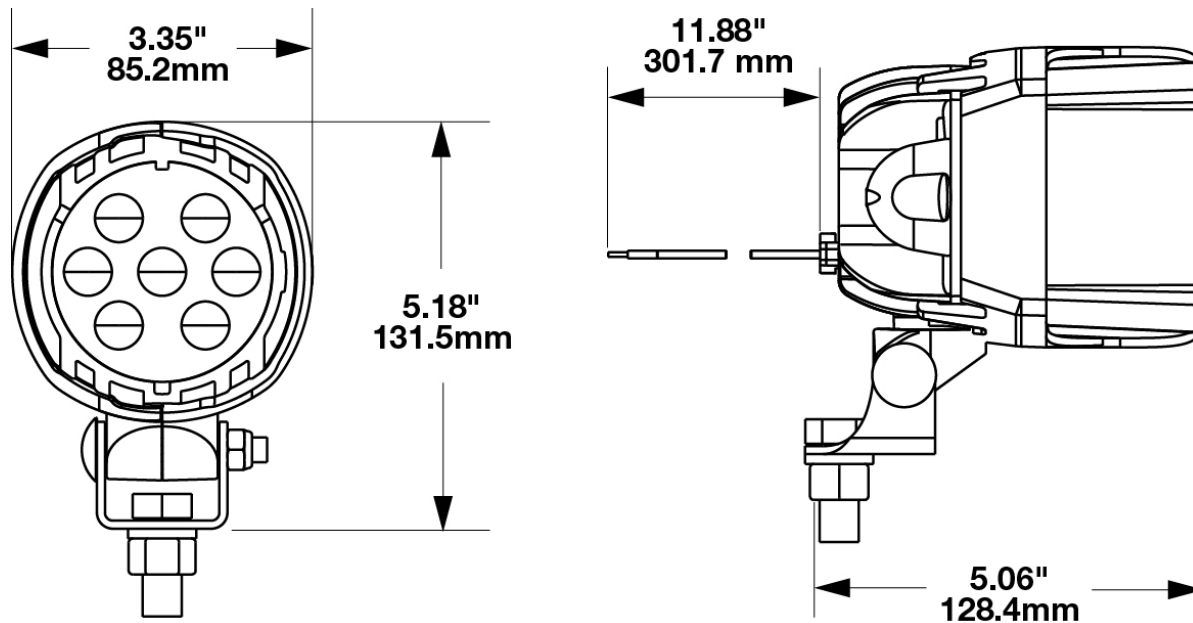
**Print date: 2026-05-01**

© 2026 J.W. Speaker Corporation • Germantown, WI U.S.A.  
www.jwspeaker.com • speaker@jwspeaker.com • 262.251.6660

**J.W. SPEAKER**   
*Engineered. Lighting. Solutions.*

# LED Work Light - Model 4415

## PRODUCT DIMENSIONS



## ELECTRICAL SPECIFICATIONS

<b>Input Voltage</b>	12-24V DC
<b>Operating Voltage</b>	10-32V DC
<b>Red Wire</b>	Positive
<b>Black Wire</b>	Negative
<b>Current Draw</b>	2.20A @ 12V DC 1.10A @ 24V DC

Print date: 2026-05-01

© 2026 J.W. Speaker Corporation • Germantown, WI U.S.A.  
www.jwspeaker.com • speaker@jwspeaker.com • 262.251.6660

# LED Work Light - Model 4415

## REGULATORY STANDARDS COMPLIANCE

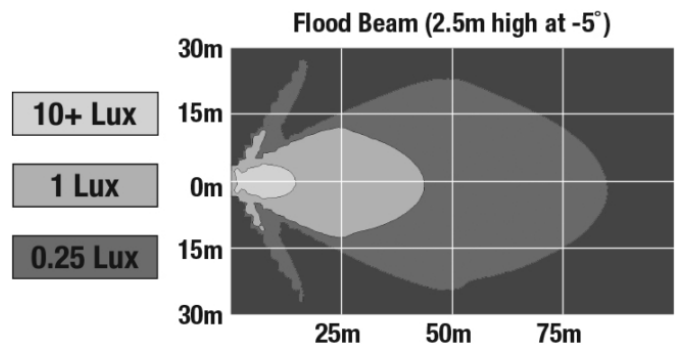


Buy America Standards  
IEC IP67

Eco Friendly  
IEC IP69K

## PHOTOMETRIC SPECIFICATIONS

**Raw Lumen Output** 2,450  
**Effective Lumen Output** 1,350  
**Nominal LED Color Temperature** 5000 K  
**Beam Pattern(s)** Forward Lighting - Flood (Wide)



## APPLICATIONS



Print date: 2026-05-01

© 2026 J.W. Speaker Corporation • Germantown, WI U.S.A.  
 www.jwspeaker.com • speaker@jwspeaker.com • 262.251.6660

# LED Work Light - Model 4415

## PRODUCT WARNINGS

---

For California residents:

**⚠ WARNING:** Cancer and reproductive harm - [www.P65Warnings.ca.gov](http://www.P65Warnings.ca.gov).

**⚠ AVERTISSEMENT:** Cancer et effet nocif sur la reproduction - [www.P65Warnings.ca.gov](http://www.P65Warnings.ca.gov).

## ACCESSORIES

---



**Part Number**  
**3271561**

4 PIN M12 CABLE, 10  
m



**Part Number**  
**3271571**

M12-RCA CONVERSION  
CABLE



**Part Number**  
**6149203**

A-Pillar Mounting Kit  
for Jeep JK



**Part Number**  
**6149233**

A-Pillar Mounting Kit  
for Jeep TJ

## RELATED PRODUCTS

---



**Part Number**  
**0551753**

12-24V LED Work Light  
with Spot Pattern &  
Side View Mirror  
Mount - 2 Light Kit



**Part Number**  
**0559913**

12-24V LED Work Light  
with Spot Pattern &  
Side View Mirror  
Mount with Camera - 2  
Light Kit



**Part Number**  
**0560341**

12-24V LED Work Light  
with Flood Pattern &  
Panel Mount

**Print date: 2026-05-01**

© 2026 J.W. Speaker Corporation • Germantown, WI U.S.A.  
[www.jwspeaker.com](http://www.jwspeaker.com) • [speaker@jwspeaker.com](mailto:speaker@jwspeaker.com) • 262.251.6660

**J.W. SPEAKER**   
*Engineered. Lighting. Solutions.*