

LED Work Light - Model 4415

PRODUCT INFORMATION

Description	12-110V LED Work Light with Trapezoid Pattern
Height	125.48 mm / 4.94 in
Width	85.09 mm / 3.35 in
Depth	56.90 mm / 2.24 in
Shape	Round
Outer Lens Material	Polycarbonate
Outer Lens Color	Clear
Housing Material	Die-Cast Aluminum
Housing Color	Black
Mounting Hardware Description	(x1) M8-20 x 1.25 Mounting Bolt Black ZP
Mounting Type	Pedestal
Minimum Operating Temperature	-40 °C / -40 °F
Maximum Operating Temperature	85 °C / 185 °F
Connector or Wiring	Packard# 12084167
Mating Connector	Packard# 12059183
Product Weight	1.40 lbs / 0.64 kgs
Shipping Weight	0.18 lbs / 0.08 kgs



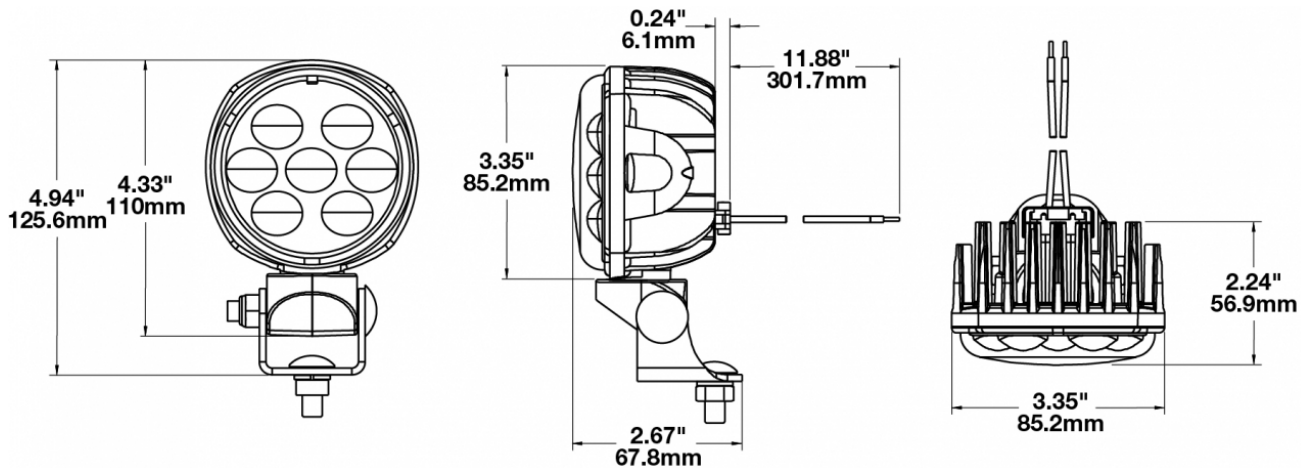
Print date: 2019-04-25

© 2019 J.W. Speaker Corporation • Germantown, WI U.S.A.
 www.jwspeaker.com • speaker@jwspeaker.com • 262.251.6660

J.W. SPEAKER 
 Engineered. Lighting. Solutions.

LED Work Light - Model 4415

PRODUCT DIMENSIONS



ELECTRICAL SPECIFICATIONS

Input Voltage	12-110V DC
Red Wire	Power
Black Wire	Ground
Current Draw	2.00A @ 12V DC 1.05A @ 24V DC 0.51A @ 48V DC 0.40A @ 60V DC 0.25A @ 110V DC

REGULATORY STANDARDS COMPLIANCE



Buy America Standards
IEC IP67

Eco Friendly
UL Recognized

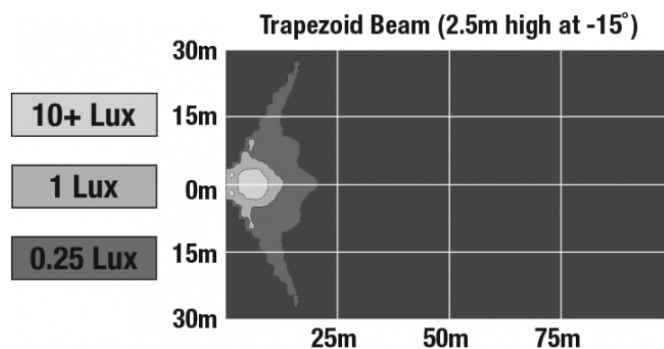
Print date: 2019-04-25

© 2019 J.W. Speaker Corporation • Germantown, WI U.S.A.
www.jwspeaker.com • speaker@jwspeaker.com • 262.251.6660

LED Work Light - Model 4415

PHOTOMETRIC SPECIFICATIONS

Raw Lumen Output	2,450
Effective Lumen Output	1,350
Nominal LED Color Temperature	5000 K
Beam Pattern(s)	Forward Lighting - Trapezoid



APPLICATIONS



ACCESSORIES



Part Number
6149203

A-Pillar Mounting Kit
for Jeep JK



Part Number
6149233

A-Pillar Mounting Kit
for Jeep TJ

Print date: 2019-04-25

© 2019 J.W. Speaker Corporation • Germantown, WI U.S.A.
www.jwspeaker.com • speaker@jwspeaker.com • 262.251.6660

LED Work Light - Model 4415

RELATED PRODUCTS



Part Number
0549841

12-24V LED Work Light
with Trapezoid Pattern



Part Number
0551001

12-24V LED Work Light
with Spot Pattern



Part Number
0551753

12-24V LED Work Light
with Spot Pattern &
Side View Mirror
Mount - 2 Light Kit



Part Number
0555341

12-24V LED Work Light
with Spot Pattern &
Panel Mount



Part Number
0555411

12-24V LED Work Light
with Flood Pattern &
Harness



Part Number
0555461

12-24V LED Work Light
with Flood Pattern &
Panel Mount