

LED Work Light - Model 4415

PRODUCT INFORMATION

Description	12-24V LED Work Light with Spot Pattern & Side View Mirror Mount - 2 Light Kit
Height	110.00 mm / 4.33 in
Width	85.20 mm / 3.35 in
Depth	21.10 mm / 0.83 in
Shape	Round
Outer Lens Material	Polycarbonate
Housing Material	Die-Cast Aluminum
Housing Color	Black
Mounting Hardware Description	(x2) 0.500-13 x Bracket and Swivel
Mounting Type	Pedestal
Minimum Operating Temperature	-40 °C / -40 °F
Maximum Operating Temperature	85 °C / 185 °F
Connector or Wiring	Packard# 12084167
Mating Connector	Packard# 12059183
Product Weight	2.80 lbs / 1.27 kgs
Shipping Weight	3.00 lbs / 1.36 kgs
Additional Information	Kit includes 2 lights and necessary mounting hardware.



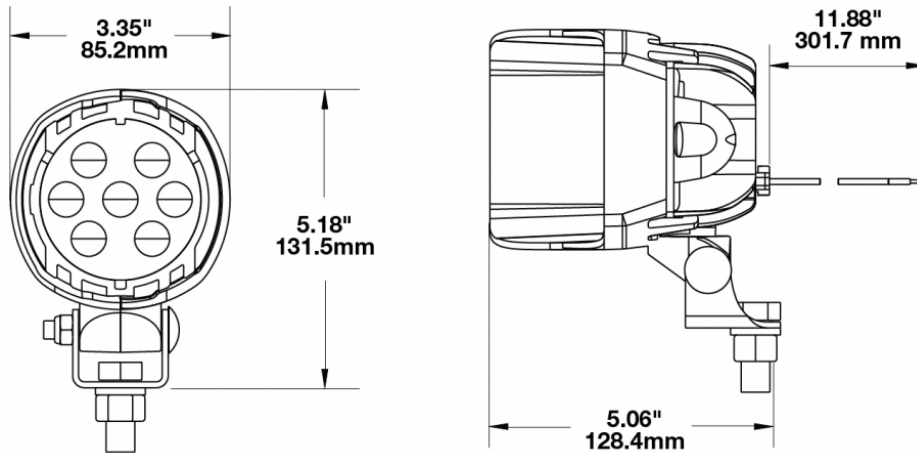
Print date: 2026-06-13

© 2026 J.W. Speaker Corporation • Germantown, WI U.S.A.
www.jwspeaker.com • speaker@jwspeaker.com • 262.251.6660

J.W. SPEAKER 
Engineered. Lighting. Solutions.

LED Work Light - Model 4415

PRODUCT DIMENSIONS



ELECTRICAL SPECIFICATIONS

Input Voltage	12-24 V
Operating Voltage	10-32 V
Red Wire	Positive
Black Wire	Negative
Current Draw	2.20A @ 12V 1.10A @ 24V

REGULATORY STANDARDS COMPLIANCE



Buy America Standards
IEC IP67

Eco Friendly
IEC IP69K

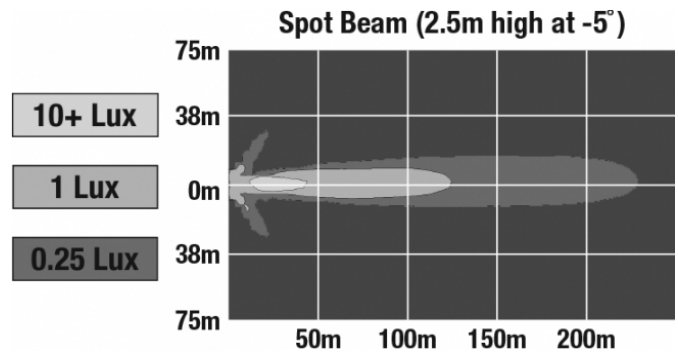
Print date: 2026-06-13

© 2026 J.W. Speaker Corporation • Germantown, WI U.S.A.
www.jwspeaker.com • speaker@jwspeaker.com • 262.251.6660

LED Work Light - Model 4415

PHOTOMETRIC SPECIFICATIONS

Raw Lumen Output	2,450
Effective Lumen Output	1,350
Nominal LED Color Temperature	5000 K
Beam Pattern(s)	Forward Lighting - Spot



APPLICATIONS



INSTALLATION & APPLICATION INFORMATION

This kit is intended to be mounted on the side mirrors or forward of the driver with the shroud (snoot) oriented to block the light from the driver / operator's eyes, providing maximum visibility rearward.

The kit can also be mounted elsewhere on the truck, such as on the back or side of a sleeper cab, to provide additional lighting.

PRODUCT WARNINGS

For California residents:

⚠ **WARNING:** Cancer and reproductive harm - www.P65Warnings.ca.gov.

⚠ **AVERTISSEMENT:** Cancer et effet nocif sur la reproduction - www.P65Warnings.ca.gov.

Print date: 2026-06-13

© 2026 J.W. Speaker Corporation • Germantown, WI U.S.A.
www.jwspeaker.com • speaker@jwspeaker.com • 262.251.6660

J.W. SPEAKER
 Engineered. Lighting. Solutions.

LED Work Light - Model 4415

ACCESSORIES



Part Number
3271561
4 PIN M12 CABLE, 10
m



Part Number
3271571
M12-RCA CONVERSION
CABLE



Part Number
6149203
A-Pillar Mounting Kit
for Jeep JK



Part Number
6149233
A-Pillar Mounting Kit
for Jeep TJ

RELATED PRODUCTS



Part Number
0559913
12-24V LED Work Light
with Spot Pattern &
Side View Mirror
Mount with Camera - 2
Light Kit



Part Number
0560341
12-24V LED Work Light
with Flood Pattern &
Panel Mount