

# LED Work Light – Model 791

## PRODUCT INFORMATION

---

<b>Description</b>	12-24V LED Driving Light
<b>Height</b>	48.00 mm / 1.89 in
<b>Width</b>	150.00 mm / 5.91 in
<b>Depth</b>	62.90 mm / 2.48 in
<b>Shape</b>	Rectangular
<b>Outer Lens Material</b>	Polycarbonate
<b>Outer Lens Color</b>	Clear
<b>Housing Material</b>	Aluminum
<b>Housing Color</b>	Black
<b>Bezel Color</b>	Chrome
<b>Mounting Hardware Description</b>	(x1) 8mm-20 x 25mm Bracket
<b>Mounting Type</b>	Pedestal
<b>Minimum Operating Temperature</b>	-40 °C / -40 °F
<b>Maximum Operating Temperature</b>	65 °C / 149 °F
<b>Connector or Wiring</b>	Deutsch DT04-2P
<b>Mating Connector</b>	Deutsch DT06-2S
<b>Product Weight</b>	0.91 lbs / 0.41 kgs
<b>Shipping Weight</b>	1.10 lbs / 0.5 kgs



---

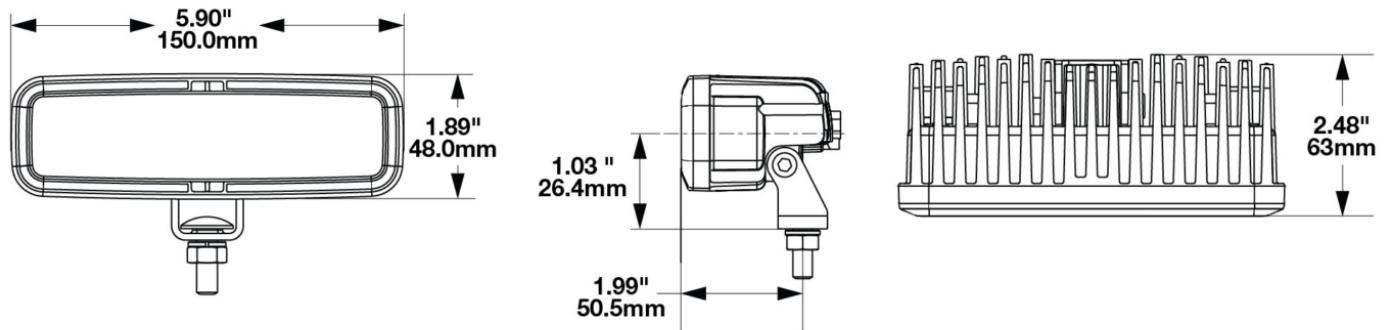
**Print date: 2026-06-27**

© 2026 J.W. Speaker Corporation • Germantown, WI U.S.A.  
www.jwspeaker.com • speaker@jwspeaker.com • 262.251.6660

**J.W. SPEAKER**   
Engineered. Lighting. Solutions.

# LED Work Light – Model 791

## PRODUCT DIMENSIONS



## ELECTRICAL SPECIFICATIONS

<b>Input Voltage</b>	12-24V DC
<b>Operating Voltage</b>	9-32V DC
<b>Transient Spike Protection</b>	150V Peak @ 1 HZ-100 Pulses
<b>Current Draw</b>	1.27A @ 12V DC 0.78A @ 24V DC

## REGULATORY STANDARDS COMPLIANCE



Buy America Standards  
IEC IP67

Eco Friendly

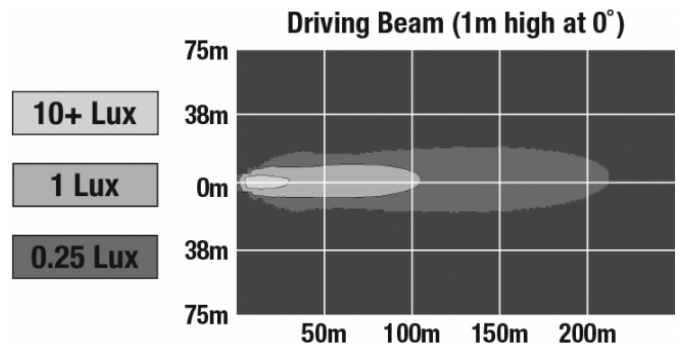
Print date: 2026-06-27

© 2026 J.W. Speaker Corporation • Germantown, WI U.S.A.  
www.jwspeaker.com • speaker@jwspeaker.com • 262.251.6660

# LED Work Light – Model 791

## PHOTOMETRIC SPECIFICATIONS

<b>Raw Lumen Output</b>	1,820
<b>Effective Lumen Output</b>	1,150
<b>Nominal LED Color Temperature</b>	5000 K
<b>Beam Pattern(s)</b>	Forward Lighting - Driving



## APPLICATIONS



## PRODUCT WARNINGS

For California residents:

⚠ **WARNING:** Cancer and reproductive harm - [www.P65Warnings.ca.gov](http://www.P65Warnings.ca.gov).

⚠ **AVERTISSEMENT:** Cancer et effet nocif sur la reproduction - [www.P65Warnings.ca.gov](http://www.P65Warnings.ca.gov).

## ACCESSORIES



**Part Number**  
**8201241**

DIN Pole Mount for  
Work Lights

**Print date: 2026-06-27**

© 2026 J.W. Speaker Corporation • Germantown, WI U.S.A.  
www.jwspeaker.com • speaker@jwspeaker.com • 262.251.6660

**J.W. SPEAKER**  
Engineered. Lighting. Solutions.

# LED Work Light – Model 791

## RELATED PRODUCTS

---



**Part Number**  
**1603521**  
12-24V LED Driving  
Light with Flood Beam  
Pattern



**Part Number**  
**1603601**  
12V DOT/ECE LED Fog  
Light



**Part Number**  
**1603603**  
12V DOT/ECE LED Fog  
Light - 2 Light Kit