

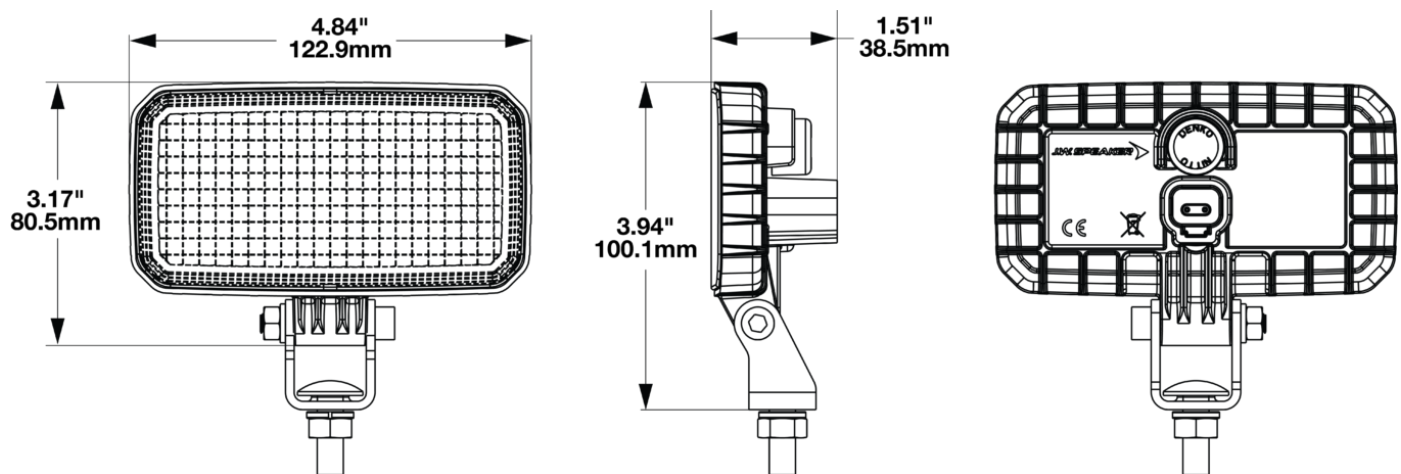
LED Work Light - Model 790 XD

PRODUCT INFORMATION

Description	12/24V LED Work Lamp w/ Deutsch
Height	100.12 mm / 3.94 in
Width	122.86 mm / 4.84 in
Depth	38.5 mm / 1.52 in
Shape	Rectangular
Outer Lens Material	Polycarbonate
Outer Lens Color	Clear
Housing Material	Polycarbonate
Housing Color	Black
Mounting Hardware Description	(x1) M6-1X35, M6-1, M8-1.25X25, M8-1.25
Mounting Type	Universal Pedestal Mount
Minimum Operating Temperature	-40 °C / -40 °F
Maximum Operating Temperature	85 °C / 185 °F
Mating Connector	Deutsch DT06-2S
Product Weight	0.54 lbs / 0.24 kgs
Shipping Weight	0.1 lbs / 0.05 kgs



PRODUCT DIMENSIONS



Print date: 2026-06-12

© 2026 J.W. Speaker Corporation • Germantown, WI U.S.A.
 www.jwspeaker.com • speaker@jwspeaker.com • 262.251.6660

J.W. SPEAKER
 Engineered. Lighting. Solutions.

LED Work Light - Model 790 XD

ELECTRICAL SPECIFICATIONS

Input Voltage	12/24V DC
Operating Voltage	9 - 32V DC
Polarity Neutral Wire	Power can be applied to either pin
Current Draw	0.67A @ 13.5V DC .38A @ 24V DC

REGULATORY STANDARDS COMPLIANCE

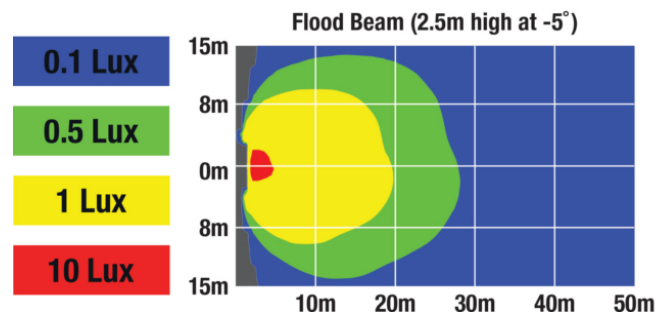


CE Recognized
IEC IP69K

IEC IP67

PHOTOMETRIC SPECIFICATIONS

Raw Lumen Output	1043
Effective Lumen Output	800
Candela Output	398
Nominal LED Color Temperature	5700 K
Beam Pattern(s)	Forward Lighting - Flood (Wide)



APPLICATIONS



Print date: 2026-06-12

© 2026 J.W. Speaker Corporation • Germantown, WI U.S.A.
www.jwspeaker.com • speaker@jwspeaker.com • 262.251.6660

J.W. SPEAKER
Engineered. Lighting. Solutions.

LED Work Light - Model 790 XD

PRODUCT WARNINGS

For California residents:

⚠ **WARNING:** Cancer and reproductive harm - www.P65Warnings.ca.gov.

⚠ **AVERTISSEMENT:** Cancer et effet nocif sur la reproduction - www.P65Warnings.ca.gov.

RELATED PRODUCTS



Part Number

1604301

12/24V LED Work
Lamp w/ Amp