

# LED Work Light - Model 4417

## PRODUCT INFORMATION

---

<b>Description</b>	12/24V LED Work Light Pedestal Mount
<b>Height</b>	108.00 mm / 4.25 in
<b>Width</b>	85.00 mm / 3.35 in
<b>Depth</b>	42.00 mm / 1.65 in
<b>Shape</b>	Round
<b>Outer Lens Material</b>	Polycarbonate
<b>Outer Lens Color</b>	Clear
<b>Housing Material</b>	Aluminum
<b>Housing Color</b>	Black
<b>Mounting Hardware Description</b>	(x1) 5/16"-18 x 1.00" Mounting Bolt Bracket
<b>Mounting Type</b>	Pedestal
<b>Minimum Operating Temperature</b>	-40 °C / -40 °F
<b>Maximum Operating Temperature</b>	65 °C / 149 °F
<b>Mating Connector</b>	Deutsch DT06-2S-E003
<b>Product Weight</b>	1.40 lbs / 0.64 kgs
<b>Shipping Weight</b>	1.75 lbs / 0.79 kgs



---

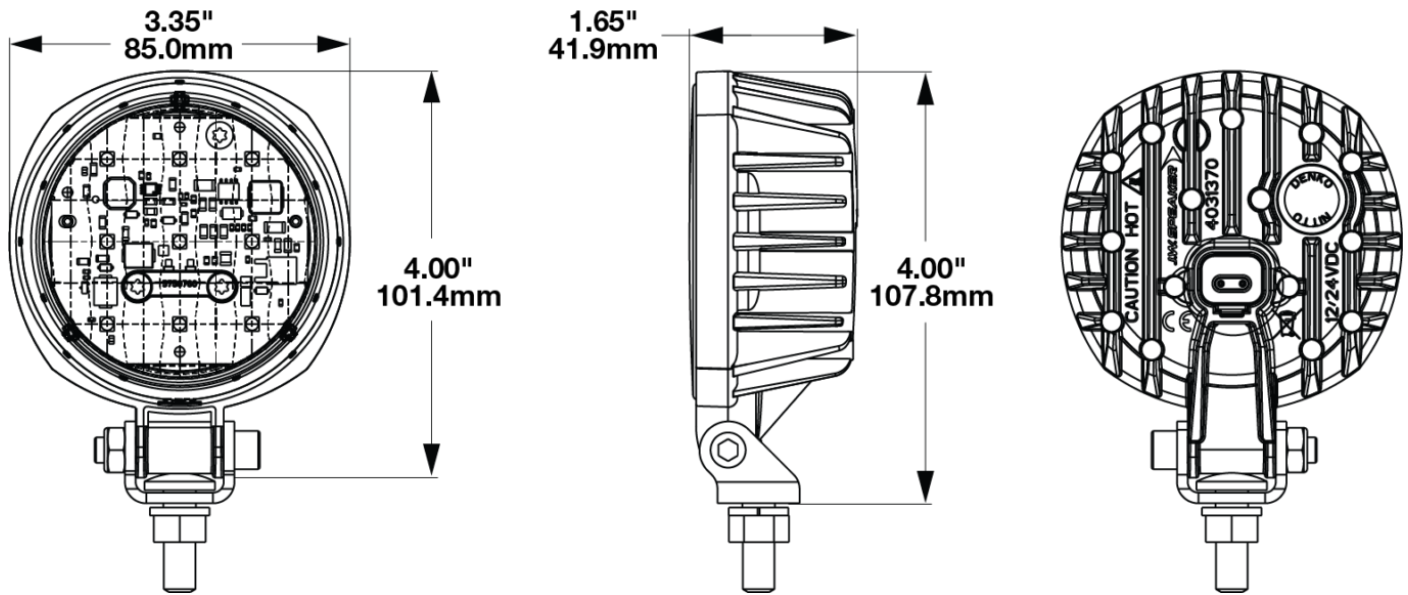
**Print date: 2024-11-10**

© 2024 J.W. Speaker Corporation • Germantown, WI U.S.A.  
www.jwspeaker.com • speaker@jwspeaker.com • 262.251.6660

**J.W. SPEAKER**   
Engineered. Lighting. Solutions.

# LED Work Light - Model 4417

## PRODUCT DIMENSIONS



## ELECTRICAL SPECIFICATIONS

<b>Input Voltage</b>	12-24V DC
<b>Operating Voltage</b>	9-32V DC
<b>Red Wire</b>	Power
<b>Black Wire</b>	Ground
<b>Current Draw</b>	2.75A @ 12V DC (Power) 1.3A @ 24V DC (Power)

## REGULATORY STANDARDS COMPLIANCE



CE Recognized  
IEC IP69K

IEC IP67

Print date: 2024-11-10

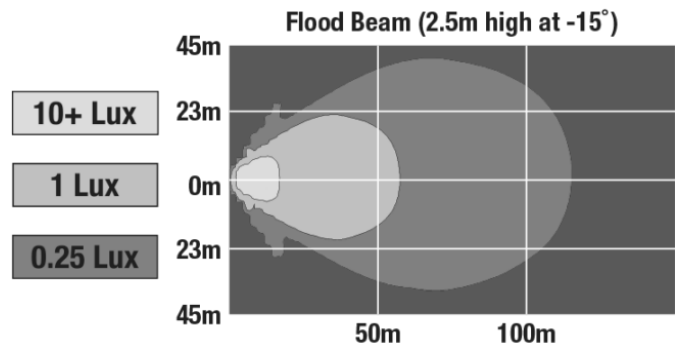
© 2024 J.W. Speaker Corporation • Germantown, WI U.S.A.  
www.jwspeaker.com • speaker@jwspeaker.com • 262.251.6660

**J.W. SPEAKER**  
Engineered. Lighting. Solutions.

# LED Work Light - Model 4417

## PHOTOMETRIC SPECIFICATIONS

<b>Raw Lumen Output</b>	4375
<b>Effective Lumen Output</b>	2265
<b>Candela Output</b>	3000
<b>Nominal LED Color Temperature</b>	5050 K
<b>Beam Pattern(s)</b>	Forward Lighting - Flood (Standard)



## APPLICATIONS



## PRODUCT WARNINGS

For California residents:

⚠ **WARNING:** Cancer and reproductive harm - [www.P65Warnings.ca.gov](http://www.P65Warnings.ca.gov).

⚠ **AVERTISSEMENT:** Cancer et effet nocif sur la reproduction - [www.P65Warnings.ca.gov](http://www.P65Warnings.ca.gov).

Print date: 2024-11-10

© 2024 J.W. Speaker Corporation • Germantown, WI U.S.A.  
[www.jwspeaker.com](http://www.jwspeaker.com) • [speaker@jwspeaker.com](mailto:speaker@jwspeaker.com) • 262.251.6660

**J.W. SPEAKER**  
 Engineered. Lighting. Solutions.