

LED Work Light - Model 152

PRODUCT INFORMATION

Description	MODEL 152 WORKLAMP-12V CLEAR LAMP
Height	26.80 mm / 1.06 in
Width	96.30 mm / 3.79 in
Depth	24.20 mm / 0.95 in
Shape	Rectangular
Outer Lens Material	Polycarbonate
Outer Lens Color	Clear
Housing Material	ABS
Housing Color	Black
Mounting Hardware Description	Thru Hole Is Intended for an M5 Bolt
Minimum Operating Temperature	-40 °C / -40 °F
Maximum Operating Temperature	70 °C / 158 °F
Mating Connector	3-pin JAE MX19A003S51
Product Weight	0.03 lbs / 0.01 kgs
Shipping Weight	1.00 lbs / 0.45 kgs



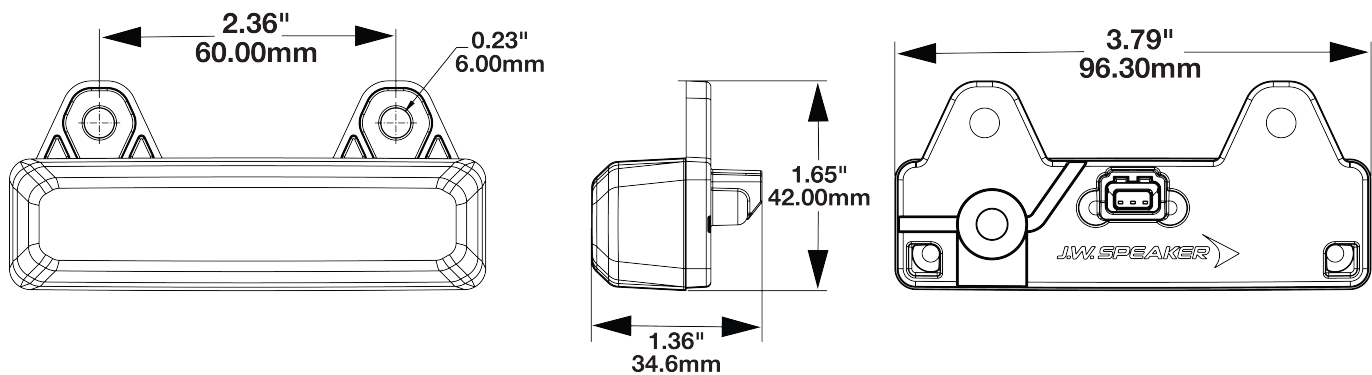
Print date: 2026-06-09

© 2026 J.W. Speaker Corporation • Germantown, WI U.S.A.
www.jwspeaker.com • speaker@jwspeaker.com • 262.251.6660

J.W. SPEAKER 
Engineered. Lighting. Solutions.

LED Work Light - Model 152

PRODUCT DIMENSIONS



ELECTRICAL SPECIFICATIONS

Input Voltage	12V AC
Operating Voltage	12V AC
Red Wire	Power
Black Wire	Ground
Current Draw	12A @ 0.15V AC (Power)

Print date: 2026-06-09

© 2026 J.W. Speaker Corporation • Germantown, WI U.S.A.
www.jwspeaker.com • speaker@jwspeaker.com • 262.251.6660

LED Work Light - Model 152

PHOTOMETRIC SPECIFICATIONS

Raw Lumen Output	275
Effective Lumen Output	170
Candela Output	70
Nominal LED Color Temperature	5050 K

PRODUCT WARNINGS

For California residents:

⚠ **WARNING:** Cancer and reproductive harm - www.P65Warnings.ca.gov.

⚠ **AVERTISSEMENT:** Cancer et effet nocif sur la reproduction - www.P65Warnings.ca.gov.

Print date: 2026-06-09

© 2026 J.W. Speaker Corporation • Germantown, WI U.S.A.
www.jwspeaker.com • speaker@jwspeaker.com • 262.251.6660

J.W. SPEAKER 
Engineered. Lighting. Solutions.