

LED Work & Backup Lights - Model 905

PRODUCT INFORMATION

Description	12-24V LED Work Light with Scene Beam Pattern and Post Mounted (Horizontal or Vertical)
Height	52.00 mm / 2.05 in
Width	275.00 mm / 10.83 in
Depth	35.00 mm / 1.38 in
Shape	Stylized
Outer Lens Material	PMMA
Outer Lens Color	Clear
Housing Material	ABS/PC
Housing Color	Black
Bezel Color	N/A
Connector or Wiring	Harness, 4 pin JAE 2 Wire
Mating Connector	JAE MX19004S51
Product Weight	0.41 lbs / 0.19 kgs
Shipping Weight	4.39 lbs / 1.99 kgs

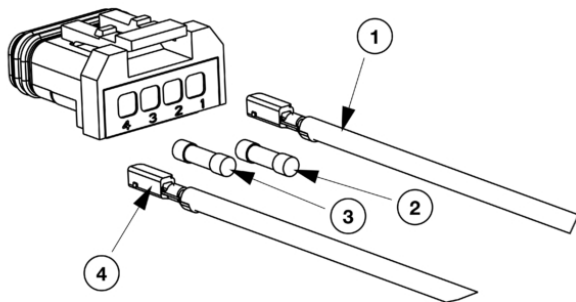
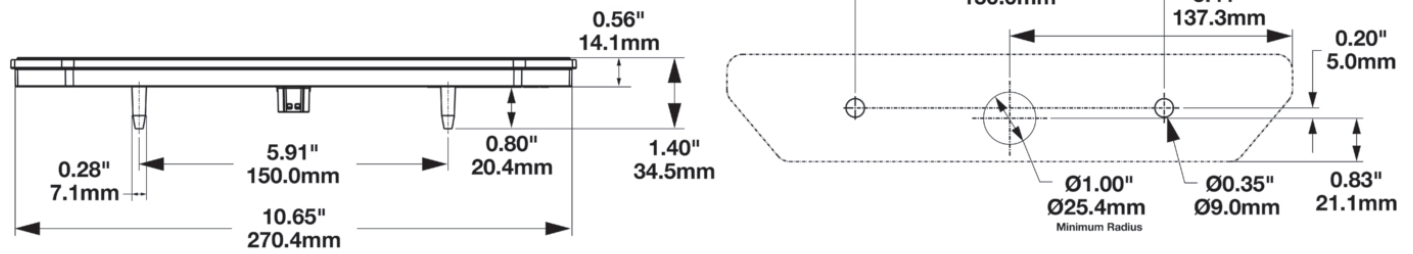
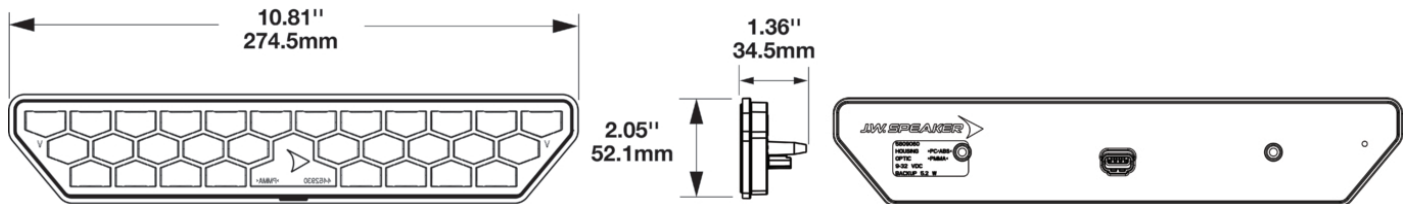


Print date: 2026-05-30

© 2026 J.W. Speaker Corporation • Germantown, WI U.S.A.
www.jwspeaker.com • speaker@jwspeaker.com • 262.251.6660

LED Work & Backup Lights - Model 905

PRODUCT DIMENSIONS



PIN	COLOR
PIN 1	RED
PIN 2	PLUG
PIN 3	PLUG
PIN 4	BLACK

Print date: 2026-05-30

© 2026 J.W. Speaker Corporation • Germantown, WI U.S.A.
 www.jwspeaker.com • speaker@jwspeaker.com • 262.251.6660

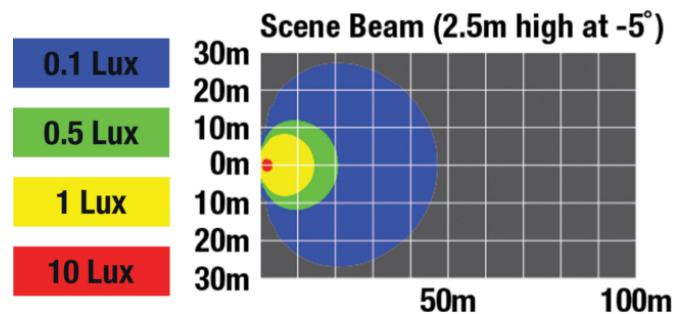
LED Work & Backup Lights - Model 905

ELECTRICAL SPECIFICATIONS

Input Voltage	12-24V DC
Operating Voltage	9-32V DC
Red Wire Wire	Power
Black Wire Wire	Ground
Current Draw	1.32A @ 12V DC (Worklamp) 0.64A @ 24V DC (Worklamp)

PHOTOMETRIC SPECIFICATIONS

Raw Lumen Output	2800
Effective Lumen Output	1160
Candela Output	770
Nominal LED Color Temperature	4750 K



INSTALLATION & APPLICATION INFORMATION

Includes:
(x2) Speed Nuts

PRODUCT WARNINGS

For California residents:

⚠ **WARNING:** Cancer and reproductive harm - www.P65Warnings.ca.gov.

⚠ **AVERTISSEMENT:** Cancer et effet nocif sur la reproduction - www.P65Warnings.ca.gov.

Print date: 2026-05-30

© 2026 J.W. Speaker Corporation • Germantown, WI U.S.A.
www.jwspeaker.com • speaker@jwspeaker.com • 262.251.6660

J.W. SPEAKER
Engineered. Lighting. Solutions.

LED Work & Backup Lights - Model 905

RELATED PRODUCTS



Part Number
0443601

12-24V ECE LED
Backup & Work Light
with Flood Beam
Pattern (Horizontal)



Part Number
1000161

12-24V LED Work Light
with Flood Beam
Pattern and Post
Mounted (Horizontal)



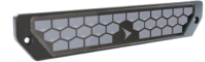
Part Number
1000391

12-24V LED Work Light
with Flood Beam
Pattern and Flange
Mounted (Horizontal)



Part Number
1000411

12-24V LED Work Light
with Flood Beam
Pattern and Flange
Mounted (Vertical)



Part Number
1000461

12-24V LED Work Light
with Scene Beam
Pattern and Flange
Mounted (Horizontal or
Vertical)



Part Number
1000471

12-24V LED Work Light
with Flood Beam
Pattern and Post
Mounted (Vertical)