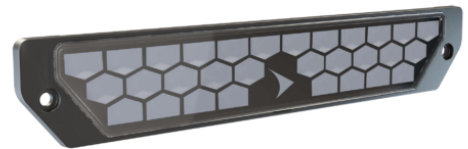


LED Work & Backup Lights - Model 905

PRODUCT INFORMATION

Description	12-24V LED Work Light with Scene Beam Pattern and Flange Mounted (Horizontal or Vertical)
Height	48.00 mm / 1.89 in
Width	304.00 mm / 11.97 in
Depth	29.00 mm / 1.14 in
Shape	Stylized
Outer Lens Material	PMMA
Outer Lens Color	Clear
Housing Material	PC/ABS
Housing Color	Black
Connector or Wiring	Harness
Mating Connector	JAE MX19004S51
Product Weight	0.41 lbs / 0.19 kgs
Shipping Weight	4.39 lbs / 1.99 kgs

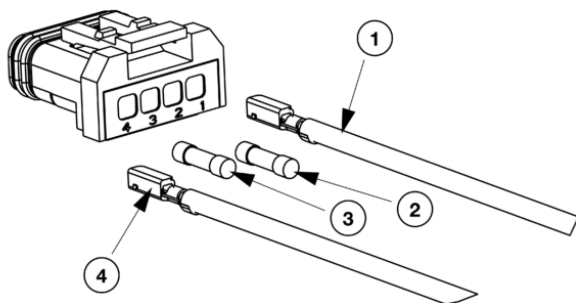
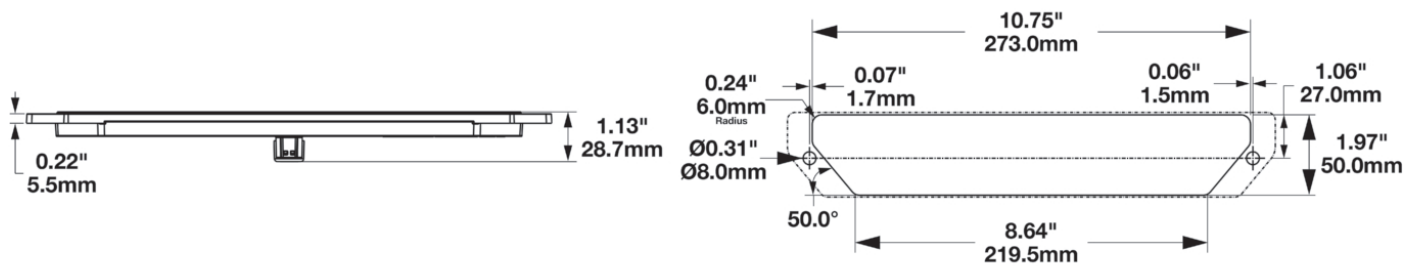
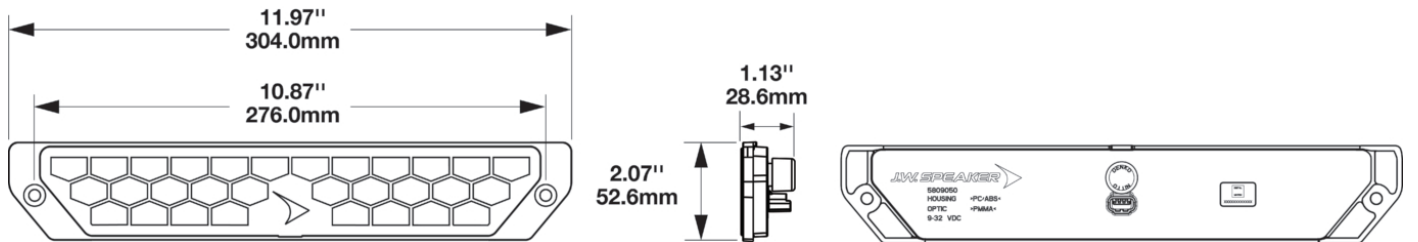


Print date: 2026-07-10

© 2026 J.W. Speaker Corporation • Germantown, WI U.S.A.
www.jwspeaker.com • speaker@jwspeaker.com • 262.251.6660

LED Work & Backup Lights - Model 905

PRODUCT DIMENSIONS



PIN	COLOR
PIN 1	RED
PIN 2	PLUG
PIN 3	PLUG
PIN 4	BLACK

Print date: 2026-07-10

© 2026 J.W. Speaker Corporation • Germantown, WI U.S.A.
 www.jwspeaker.com • speaker@jwspeaker.com • 262.251.6660

LED Work & Backup Lights - Model 905

ELECTRICAL SPECIFICATIONS

Input Voltage	12-24V DC
Operating Voltage	9-32V DC
Red Wire	Power
Black Wire	Ground
Current Draw	1.32A @ 12V DC (Worklamp) .64A @ 24V DC (Worklamp)

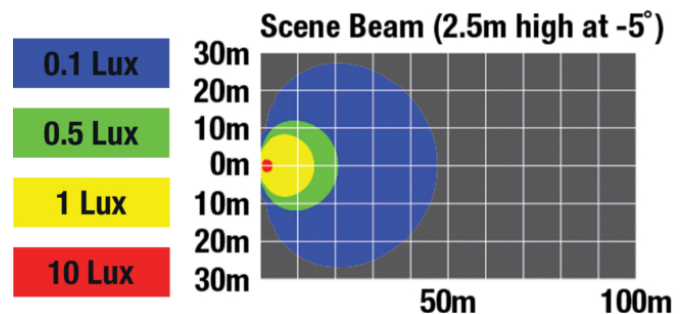
REGULATORY STANDARDS COMPLIANCE



IEC IP67

PHOTOMETRIC SPECIFICATIONS

Raw Lumen Output	2800
Effective Lumen Output	1200
Nominal LED Color Temperature	4750 K



APPLICATIONS



Print date: 2026-07-10

© 2026 J.W. Speaker Corporation • Germantown, WI U.S.A.
www.jwspeaker.com • speaker@jwspeaker.com • 262.251.6660

LED Work & Backup Lights - Model 905

PRODUCT WARNINGS

For California residents:

⚠ **WARNING:** Cancer and reproductive harm - www.P65Warnings.ca.gov.

⚠ **AVERTISSEMENT:** Cancer et effet nocif sur la reproduction - www.P65Warnings.ca.gov.

RELATED PRODUCTS



Part Number
0443601

12-24V ECE LED
Backup & Work Light
with Flood Beam
Pattern (Horizontal)



Part Number
1000161

12-24V LED Work Light
with Flood Beam
Pattern and Post
Mounted (Horizontal)



Part Number
1000391

12-24V LED Work Light
with Flood Beam
Pattern and Flange
Mounted (Horizontal)



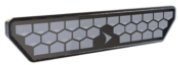
Part Number
1000411

12-24V LED Work Light
with Flood Beam
Pattern and Flange
Mounted (Vertical)



Part Number
1000471

12-24V LED Work Light
with Flood Beam
Pattern and Post
Mounted (Vertical)



Part Number
1000481

12-24V LED Work Light
with Scene Beam
Pattern and Post
Mounted (Horizontal or
Vertical)