

# LED Work & Backup Lights - Model 905

## PRODUCT INFORMATION

---

<b>Description</b>	12-24V LED Work Light with Flood Beam Pattern and Post Mounted (Horizontal)
<b>Height</b>	52.00 mm / 2.05 in
<b>Width</b>	274.40 mm / 10.8 in
<b>Depth</b>	28.70 mm / 1.13 in
<b>Shape</b>	Stylized
<b>Outer Lens Material</b>	ACRYLIC
<b>Outer Lens Color</b>	CLEAR
<b>Housing Material</b>	PC/ABS
<b>Housing Color</b>	BLACK
<b>Bezel Color</b>	NA
<b>Mating Connector</b>	JAE MX19004S51
<b>Product Weight</b>	0.41 lbs / 0.19 kgs
<b>Shipping Weight</b>	4.48 lbs / 2.03 kgs



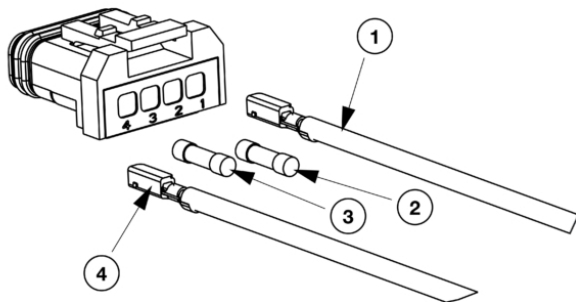
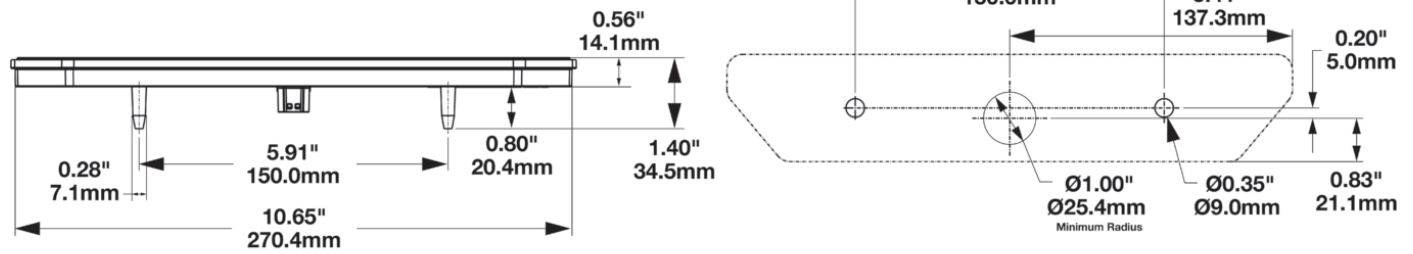
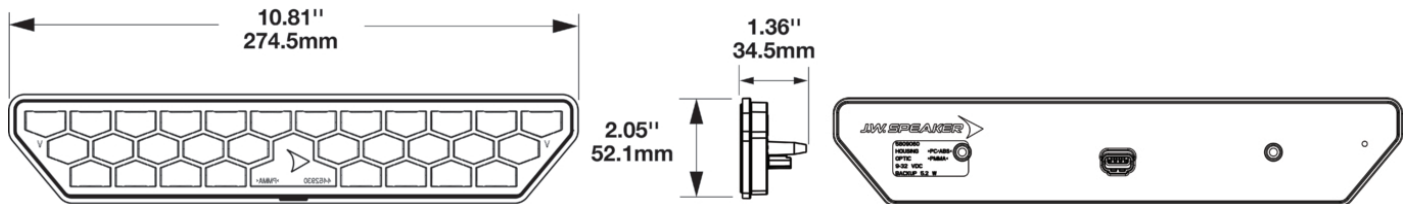
---

**Print date: 2026-04-20**

© 2026 J.W. Speaker Corporation • Germantown, WI U.S.A.  
www.jwspeaker.com • speaker@jwspeaker.com • 262.251.6660

# LED Work & Backup Lights - Model 905

## PRODUCT DIMENSIONS



PIN	COLOR
PIN 1	RED
PIN 2	PLUG
PIN 3	PLUG
PIN 4	BLACK

Print date: 2026-04-20

© 2026 J.W. Speaker Corporation • Germantown, WI U.S.A.  
 www.jwspeaker.com • speaker@jwspeaker.com • 262.251.6660

# LED Work & Backup Lights - Model 905

## ELECTRICAL SPECIFICATIONS

<b>Input Voltage</b>	12-24V DC
<b>Operating Voltage</b>	9-32V DC
<b>Red Wire</b>	Power (+)
<b>Black Wire</b>	Ground (-)
<b>Current Draw</b>	1.32A @ 12V DC (Worklamp) 0.64A @ 24V DC (Worklamp)

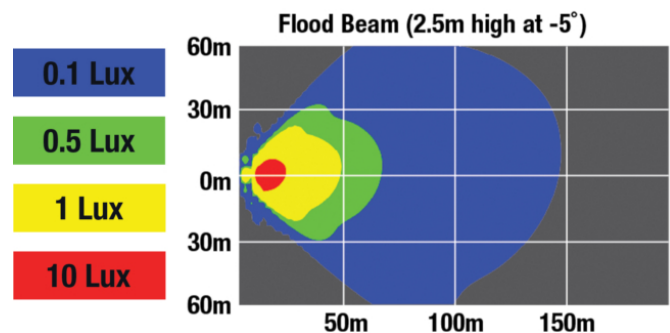
## REGULATORY STANDARDS COMPLIANCE



IEC IP67

## PHOTOMETRIC SPECIFICATIONS

<b>Raw Lumen Output</b>	2800
<b>Effective Lumen Output</b>	1160
<b>Candela Output</b>	770
<b>Nominal LED Color Temperature</b>	4750 K
<b>Beam Pattern(s)</b>	Forward Lighting - Flood (Standard)



## APPLICATIONS



Print date: 2026-04-20

© 2026 J.W. Speaker Corporation • Germantown, WI U.S.A.  
www.jwspeaker.com • speaker@jwspeaker.com • 262.251.6660

**J.W. SPEAKER**  
Engineered. Lighting. Solutions.

# LED Work & Backup Lights - Model 905

## PRODUCT WARNINGS

---

For California residents:

⚠ **WARNING:** Cancer and reproductive harm - [www.P65Warnings.ca.gov](http://www.P65Warnings.ca.gov).

⚠ **AVERTISSEMENT:** Cancer et effet nocif sur la reproduction - [www.P65Warnings.ca.gov](http://www.P65Warnings.ca.gov).

## RELATED PRODUCTS

---



**Part Number**  
**0443601**

12-24V ECE LED  
Backup & Work Light  
with Flood Beam  
Pattern (Horizontal)



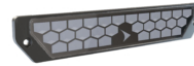
**Part Number**  
**1000391**

12-24V LED Work Light  
with Flood Beam  
Pattern and Flange  
Mounted (Horizontal)



**Part Number**  
**1000411**

12-24V LED Work Light  
with Flood Beam  
Pattern and Flange  
Mounted (Vertical)



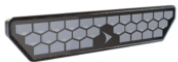
**Part Number**  
**1000461**

12-24V LED Work Light  
with Scene Beam  
Pattern and Flange  
Mounted (Horizontal or  
Vertical)



**Part Number**  
**1000471**

12-24V LED Work Light  
with Flood Beam  
Pattern and Post  
Mounted (Vertical)



**Part Number**  
**1000481**

12-24V LED Work Light  
with Scene Beam  
Pattern and Post  
Mounted (Horizontal or  
Vertical)

---

**Print date: 2026-04-20**

© 2026 J.W. Speaker Corporation • Germantown, WI U.S.A.  
[www.jwspeaker.com](http://www.jwspeaker.com) • [speaker@jwspeaker.com](mailto:speaker@jwspeaker.com) • 262.251.6660