

LED Work & Backup Lights - Model 905

PRODUCT INFORMATION

Description	12-24V ECE LED Backup & Work Light with Flood Beam Pattern (Horizontal)
Height	52.12 mm / 2.05 in
Width	274.50 mm / 10.81 in
Depth	14.14 mm / 0.56 in
Shape	Stylized
Outer Lens Material	Acrylic
Outer Lens Color	Clear
Housing Material	PC/ABS
Housing Color	Black
Minimum Operating Temperature	-40 °C / -40 °F
Maximum Operating Temperature	85 °C / 185 °F
Connector or Wiring	4-Pin Integrated connector JAE MX19/MX19A Series
Mating Connector	JAE MX19004S51
Product Weight	0.41 lbs / 0.19 kgs
Shipping Weight	0.41 lbs / 0.19 kgs



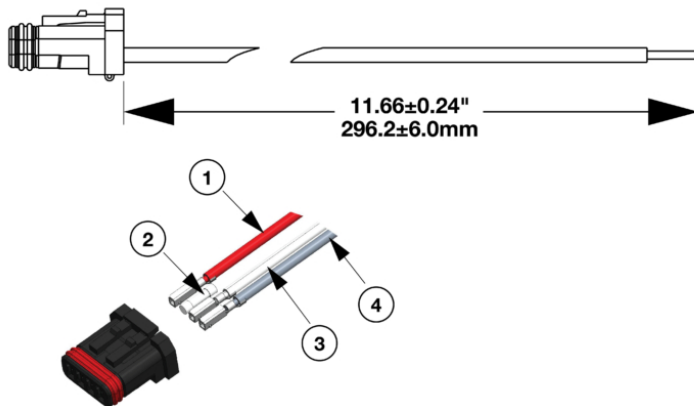
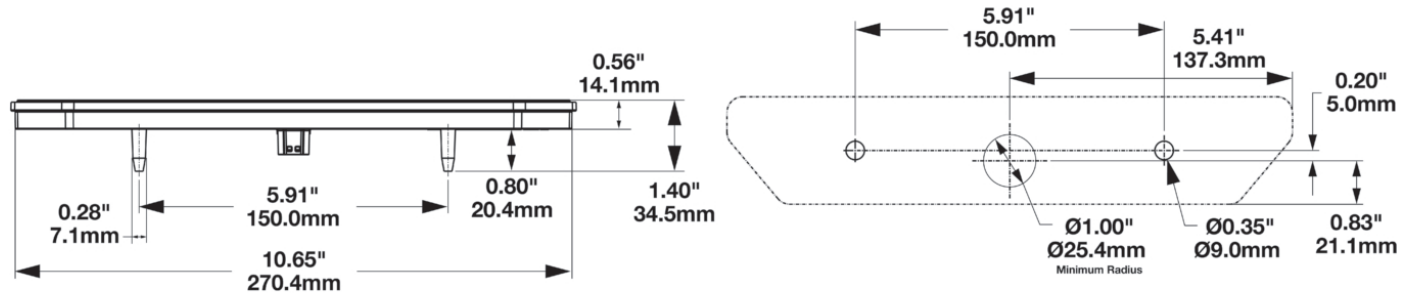
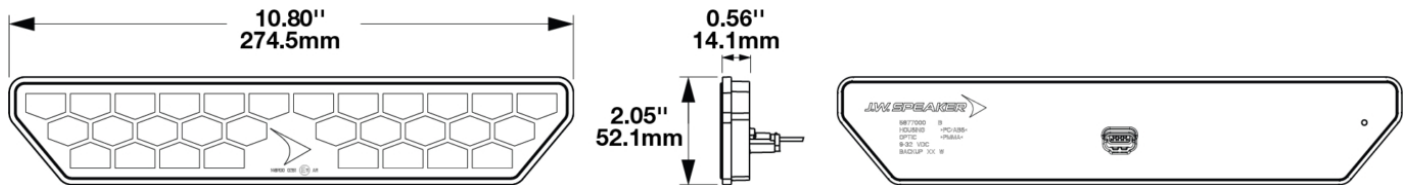
Print date: 2026-06-20

© 2026 J.W. Speaker Corporation • Germantown, WI U.S.A.
www.jwspeaker.com • speaker@jwspeaker.com • 262.251.6660

J.W. SPEAKER 
Engineered. Lighting. Solutions.

LED Work & Backup Lights - Model 905

PRODUCT DIMENSIONS



PIN	COLOR
PIN 1	RED
PIN 2	PLUG
PIN 3	WHITE
PIN 4	BLACK

Print date: 2026-06-20

© 2026 J.W. Speaker Corporation • Germantown, WI U.S.A.
 www.jwspeaker.com • speaker@jwspeaker.com • 262.251.6660

LED Work & Backup Lights - Model 905

ELECTRICAL SPECIFICATIONS

Input Voltage	12-24V DC
Operating Voltage	9-32V DC
Red Wire	Work
White Wire	Backup
Black Wire	Ground
Current Draw	1.24A @ 12V DC (Worklamp) 0.17A @ 12V DC (Backup) 0.60A @ 24V DC (Worklamp) 0.19A @ 24V DC (Backup)

REGULATORY STANDARDS COMPLIANCE



ECE Reg 23

IEC IP67

PHOTOMETRIC SPECIFICATIONS

Raw Lumen Output	2800
Effective Lumen Output	1160
Candela Output	770
Nominal LED Color Temperature	4750 K
Beam Pattern(s)	Forward Lighting - Flood (Standard)

Print date: 2026-06-20

© 2026 J.W. Speaker Corporation • Germantown, WI U.S.A.
www.jwspeaker.com • speaker@jwspeaker.com • 262.251.6660

LED Work & Backup Lights - Model 905

APPLICATIONS



PRODUCT WARNINGS

For California residents:

⚠ **WARNING:** Cancer and reproductive harm - www.P65Warnings.ca.gov.

⚠ **AVERTISSEMENT:** Cancer et effet nocif sur la reproduction - www.P65Warnings.ca.gov.

Print date: 2026-06-20

© 2026 J.W. Speaker Corporation • Germantown, WI U.S.A.
www.jwspeaker.com • speaker@jwspeaker.com • 262.251.6660

J.W. SPEAKER 
Engineered. Lighting. Solutions.

LED Work & Backup Lights - Model 905

RELATED PRODUCTS



Part Number
1000161

12-24V LED Work Light
with Flood Beam
Pattern and Post
Mounted (Horizontal)



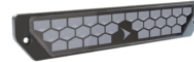
Part Number
1000391

12-24V LED Work Light
with Flood Beam
Pattern and Flange
Mounted (Horizontal)



Part Number
1000411

12-24V LED Work Light
with Flood Beam
Pattern and Flange
Mounted (Vertical)



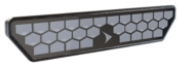
Part Number
1000461

12-24V LED Work Light
with Scene Beam
Pattern and Flange
Mounted (Horizontal or
Vertical)



Part Number
1000471

12-24V LED Work Light
with Flood Beam
Pattern and Post
Mounted (Vertical)



Part Number
1000481

12-24V LED Work Light
with Scene Beam
Pattern and Post
Mounted (Horizontal or
Vertical)