

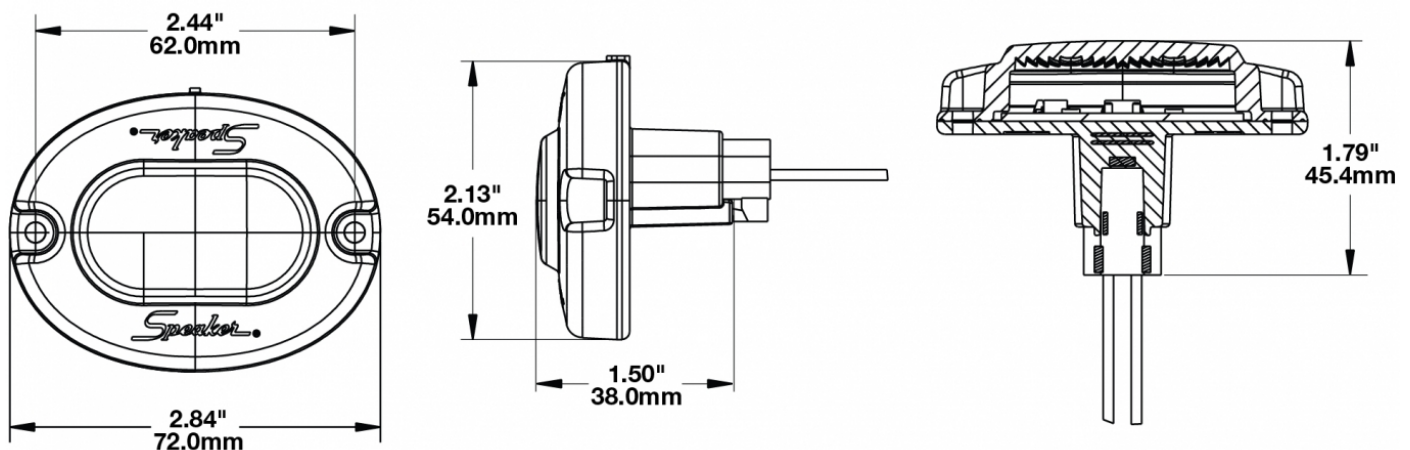
LED Utility Light - Model 186

PRODUCT INFORMATION

Description	12-24V LED Utility Light
Height	54.10 mm / 2.13 in
Width	72.14 mm / 2.84 in
Depth	45.47 mm / 1.79 in
Shape	Rectangular
Outer Lens Material	Polycarbonate
Outer Lens Color	Clear
Housing Material	Polycarbonate
Housing Color	Black
Mounting Type	Low Profile Mount
Minimum Operating Temperature	-40 °C / -40 °F
Maximum Operating Temperature	65 °C / 149 °F
Connector or Wiring	Integrated 2-Pin Deutsch Socket (DT04-2P)
Mating Connector	2-Pin Deutsch Plug (DT06-2S)
Product Weight	0.11 lbs / 0.05 kgs



PRODUCT DIMENSIONS



Print date: 2017-06-24

© 2017 J.W. Speaker Corporation • Germantown, WI U.S.A.
 www.jwspeaker.com • speaker@jwspeaker.com • 262.251.6660

J.W. SPEAKER 
 Engineered. Lighting. Solutions.

LED Utility Light - Model 186

ELECTRICAL SPECIFICATIONS

Input Voltage	12-24V DC
Red Wire	Positive
Black Wire	Negative
Current Draw	0.105A @ 12V DC 0.105A @ 24V DC

REGULATORY STANDARDS COMPLIANCE



Buy America Standards Eco Friendly
IEC IP67

PHOTOMETRIC SPECIFICATIONS

Nominal LED Color Temperature 5000 K

APPLICATIONS



Print date: 2017-06-24

© 2017 J.W. Speaker Corporation • Germantown, WI U.S.A.
www.jwspeaker.com • speaker@jwspeaker.com • 262.251.6660

