

# LED Turn Signal, DRL & Front Position Light -

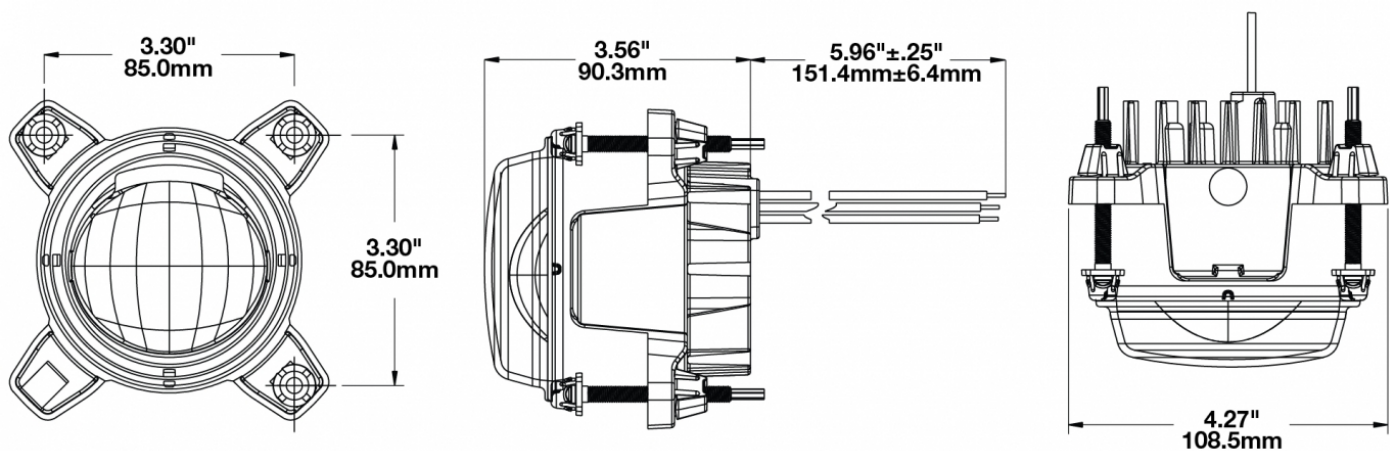
## Model 91

### PRODUCT INFORMATION

<b>Description</b>	12-24V DOT/ECE Turn Signal, DRL, and Front Position Light
<b>Height</b>	108.46 mm / 4.27 in
<b>Width</b>	108.46 mm / 4.27 in
<b>Depth</b>	90.42 mm / 3.56 in
<b>Shape</b>	Round
<b>Outer Lens Material</b>	Polycarbonate
<b>Outer Lens Color</b>	Clear
<b>Housing Material</b>	Die-Cast Aluminum
<b>Housing Color</b>	Chrome
<b>Mounting Hardware Description</b>	(x3) Ball & Socket
<b>Mounting Type</b>	Low Profile Mount
<b>Minimum Operating Temperature</b>	-40 °C / -40 °F
<b>Maximum Operating Temperature</b>	65 °C / 149 °F
<b>Connector or Wiring</b>	6" Bare Leads
<b>Product Weight</b>	1.30 lbs / 0.59 kgs
<b>Shipping Weight</b>	1.35 lbs / 0.61 kgs



### PRODUCT DIMENSIONS



Print date: 2018-07-23

© 2018 J.W. Speaker Corporation • Germantown, WI U.S.A.  
 www.jwspeaker.com • speaker@jwspeaker.com • 262.251.6660

# LED Turn Signal, DRL & Front Position Light - Model 91

## ELECTRICAL SPECIFICATIONS

<b>Input Voltage</b>	12-24V DC
<b>Operating Voltage</b>	10.5-38V DC
<b>Transient Spike Protection</b>	150V Peak @ 1 HZ-100 Pulses
<b>Red Wire</b>	Position
<b>Black Wire</b>	Ground
<b>White Wire</b>	DRL
<b>Yellow Wire</b>	Turn
<b>Current Draw</b>	1.18A @ 12V DC (Directional Indicator) 0.45A @ 24V DC (Directional Indicator) 0.60A @ 12V DC (DRL) 0.35A @ 24V DC (DRL) 0.07A @ 12V DC (Front Position) 0.04A @ 24V DC (Front Position)

## REGULATORY STANDARDS COMPLIANCE



Buy America Standards  
IEC IP67  
SAE J588

Eco Friendly  
SAE J2087

## PHOTOMETRIC SPECIFICATIONS

<b>Nominal LED Color Temperature</b>	5000 K
<b>Beam Pattern(s)</b>	Forward Lighting - Daytime Running Light Signalization - Front Position Signalization - Turn (Front)

Print date: 2018-07-23

© 2018 J.W. Speaker Corporation • Germantown, WI U.S.A.  
www.jwspeaker.com • speaker@jwspeaker.com • 262.251.6660

# LED Turn Signal, DRL & Front Position Light -

## Model 91

### APPLICATIONS

---



### ACCESSORIES

---



**Part Number**

**8200111**

Model 90 Replacement  
Adjuster Kit