

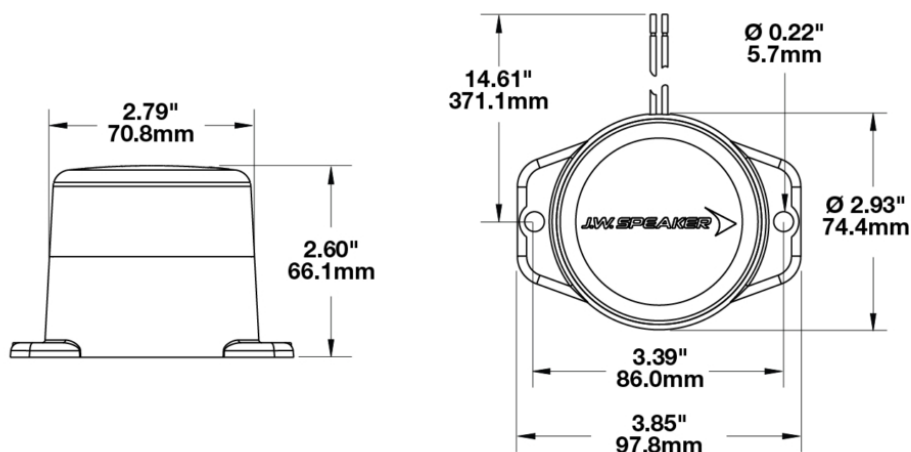
LED Strobe Lights - Model 539

PRODUCT INFORMATION

| | |
|--------------------------------------|---|
| Description | 12-80V Amber Class III LED Strobe Light with Flange Mount |
| Height | 66.10 mm / 2.6 in |
| Width | 70.80 mm / 2.79 in |
| Depth | 70.80 mm / 2.79 in |
| Shape | Round |
| Outer Lens Material | Acrylic |
| Outer Lens Color | Clear |
| Housing Material | Polycarbonate |
| Housing Color | Black |
| Mounting Type | Flange Mount |
| Minimum Operating Temperature | -40 °C / -40 °F |
| Maximum Operating Temperature | 65 °C / 149 °F |
| Connector or Wiring | 13.5" Bare Leads |
| Product Weight | 0.00 lbs / 0 kgs |
| Shipping Weight | 1.51 lbs / 0.68 kgs |



PRODUCT DIMENSIONS



Print date: 2018-11-17

© 2018 J.W. Speaker Corporation • Germantown, WI U.S.A.
 www.jwspeaker.com • speaker@jwspeaker.com • 262.251.6660

J.W. SPEAKER®
 Engineered. Lighting. Solutions.

LED Strobe Lights - Model 539

ELECTRICAL SPECIFICATIONS

| | |
|--------------------------|---|
| Input Voltage | 12-80VDCV DC |
| Operating Voltage | 12-80VDCV DC |
| Red Wire | Positive |
| Black Wire | Negative |
| Current Draw | 0.256A @ 12V DC 0.088A @ 48V DC 0.076A @ 80V DC |

REGULATORY STANDARDS COMPLIANCE



Buy America Standards
SAE J845

Eco Friendly
UL Recognized

PHOTOMETRIC SPECIFICATIONS

| | |
|------------------------|------------------|
| Beam Pattern(s) | Warning - Strobe |
| Flash Rate 1 | 60 +/- 10 fpm |

APPLICATIONS



Print date: 2018-11-17

© 2018 J.W. Speaker Corporation • Germantown, WI U.S.A.
www.jwspeaker.com • speaker@jwspeaker.com • 262.251.6660

J.W. SPEAKER
Engineered. Lighting. Solutions.

LED Strobe Lights - Model 539

RELATED PRODUCTS



Part Number
0646451
12-80V Red Class III
LED Strobe Light with
Flange Mount



Part Number
0646461
12-80V Green Class III
LED Strobe Light with
Flange Mount



Part Number
0646471
12-80V Blue Class III
LED Strobe Light with
Flange Mount



Part Number
0646481
12-80V White Class III
LED Strobe Light with
Flange Mount