

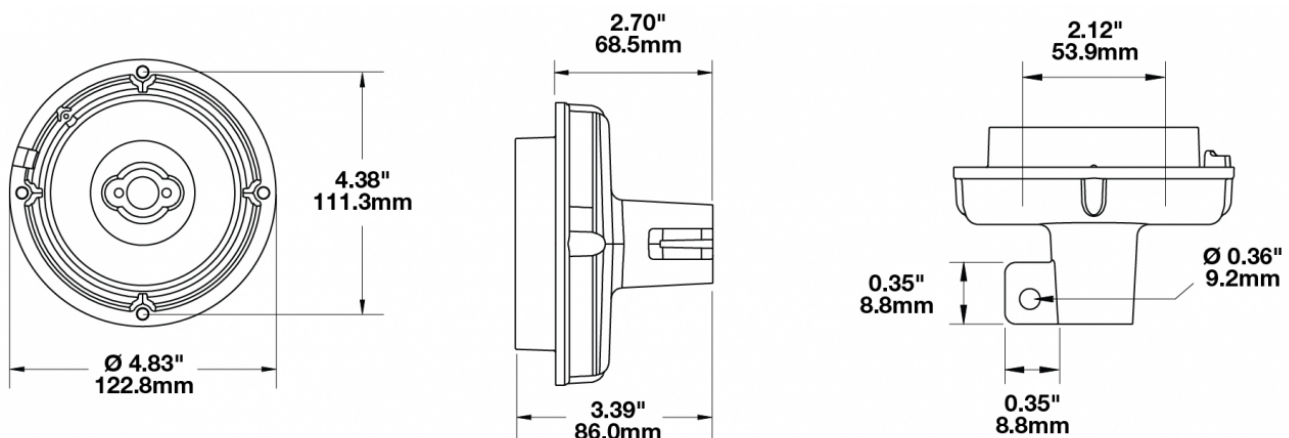
DIN Pole Mount for 407 LED Strobe Lights

PRODUCT INFORMATION

Description	DIN Pole Mount for 407 LED Strobe Lights
Height	86.15 mm / 3.39 in
Width	122.75 mm / 4.83 in
Depth	122.75 mm / 4.83 in
Shape	Round
Housing Material	Nylon
Housing Color	Black
Mounting Type	Pole
Minimum Operating Temperature	-40 °C / -40 °F
Maximum Operating Temperature	60 °C / 140 °F
Connector or Wiring	ISO 4165 plug
Mating Connector	ISO 4165 socket
Product Weight	0.50 lbs / 0.23 kgs
Shipping Weight	0.73 lbs / 0.33 kgs



PRODUCT DIMENSIONS



Print date: 2025-05-17

© 2025 J.W. Speaker Corporation • Germantown, WI U.S.A.
 www.jwspeaker.com • speaker@jwspeaker.com • 262.251.6660

J.W. SPEAKER
 Engineered. Lighting. Solutions.

DIN Pole Mount for 407 LED Strobe Lights

REGULATORY STANDARDS COMPLIANCE



Buy America Standards

Eco Friendly

APPLICATIONS



ADDITIONAL INFORMATION

This DIN Pole Mount allows the use of the Model 406 & 407 strobe light to be mounted to a pole with an ISO 4165 socket.

DIN Pole Mount accessory Includes: (4) screw mounts to secure directly to strobe light housing.

PRODUCT WARNINGS

For California residents:

⚠ WARNING: Cancer and reproductive harm - www.P65Warnings.ca.gov.

⚠ AVERTISSEMENT: Cancer et effet nocif sur la reproduction - www.P65Warnings.ca.gov.

Print date: 2025-05-17

© 2025 J.W. Speaker Corporation • Germantown, WI U.S.A.
www.jwspeaker.com • speaker@jwspeaker.com • 262.251.6660

DIN Pole Mount for 407 LED Strobe Lights

SUITS THESE PRODUCTS



**5" Round Low
Profile LED Lights -
Class I**

LED Strobe Lights -
Model 407

Print date: 2025-05-17

© 2025 J.W. Speaker Corporation • Germantown, WI U.S.A.
www.jwspeaker.com • speaker@jwspeaker.com • 262.251.6660