

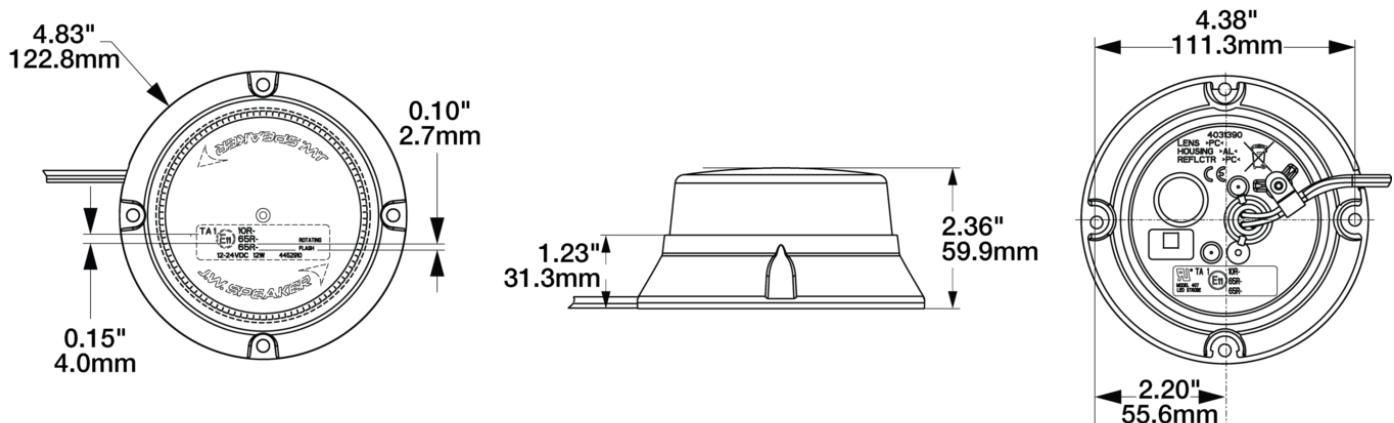
LED Strobe Lights - Model 407

PRODUCT INFORMATION

Description	12-24V LED Class I ECE/SAE Amber Strobe Light
Height	122.80 mm / 4.83 in
Width	122.80 mm / 4.83 in
Depth	60.00 mm / 2.36 in
Shape	Round
Outer Lens Material	Polycarbonate
Outer Lens Color	Amber
Housing Material	Die-cast Aluminum
Housing Color	Black
Mounting Hardware Description	(x4) #8-16 x 3/4" Mounting Screw
Minimum Operating Temperature	-40 °C / -40 °F
Maximum Operating Temperature	60 °C / 140 °F
Connector or Wiring	18" Leads
Product Weight	0.70 lbs / 0.32 kgs
Shipping Weight	0.85 lbs / 0.39 kgs



PRODUCT DIMENSIONS



Print date: 2026-04-03

© 2026 J.W. Speaker Corporation • Germantown, WI U.S.A.
www.jwspeaker.com • speaker@jwspeaker.com • 262.251.6660

J.W. SPEAKER
 Engineered. Lighting. Solutions.

LED Strobe Lights - Model 407

ELECTRICAL SPECIFICATIONS

Input Voltage	12-24V DC
Operating Voltage	9-32V DC
Red Wire	Positive
Black Wire	Negative
Yellow Wire	Mode
Current Draw	1.65A @ 12V DC (Peak) 0.57A @ 12V DC (Average) 0.86A @ 24V DC (Peak) 0.30A @ 24V DC (Average)

REGULATORY STANDARDS COMPLIANCE



CE Recognized	ECE Reg 10
ECE Reg 65	IEC IP67
IEC IP69K	SAE J845

PHOTOMETRIC SPECIFICATIONS

Beam Pattern(s)	Warning - Rotating Warning Warning - Strobe
Flash Rate 1	Beacon
Flash Rate 2	Single 125 FPM
Flash Rate 3	Double 250 FPM
Flash Rate 4	Quad 500 FPM

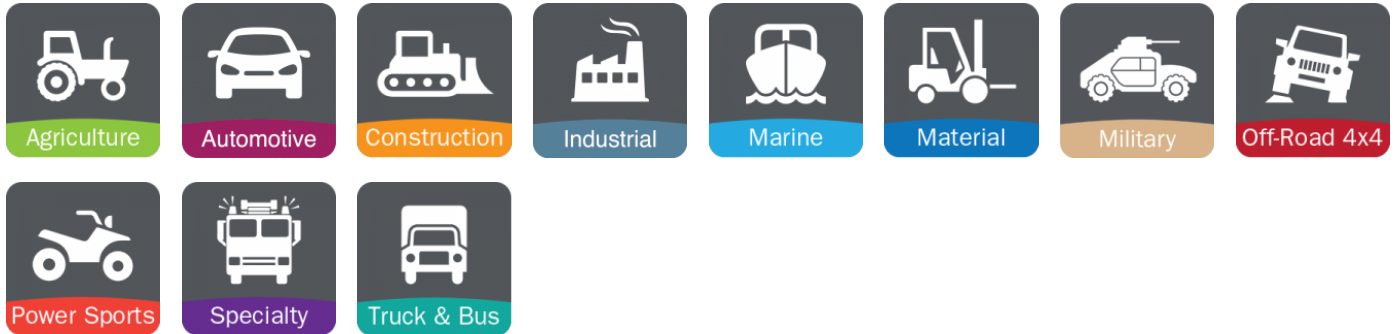
Print date: 2026-04-03

© 2026 J.W. Speaker Corporation • Germantown, WI U.S.A.
www.jwspeaker.com • speaker@jwspeaker.com • 262.251.6660

J.W. SPEAKER 
Engineered. Lighting. Solutions.

LED Strobe Lights - Model 407

APPLICATIONS



PRODUCT WARNINGS

For California residents:

⚠ WARNING: Cancer and reproductive harm - www.P65Warnings.ca.gov.

⚠ AVERTISSEMENT: Cancer et effet nocif sur la reproduction - www.P65Warnings.ca.gov.

Print date: 2026-04-03

© 2026 J.W. Speaker Corporation • Germantown, WI U.S.A.
www.jwspeaker.com • speaker@jwspeaker.com • 262.251.6660

LED Strobe Lights - Model 407

ACCESSORIES



Part Number
0728301

Pipe Mount with Fold-Down Bracket for DIN Pole Mount



Part Number
0728311

Pipe Mount with L Bracket for DIN Pole Mount



Part Number
0728321

Pipe Mount with Straight Bracket for DIN Pole Mount



Part Number
0728331

Pipe Mount with Threaded Pipe Mount for DIN Pole Mount



Part Number
0728341

Pipe Mount with Weld-on Bracket for DIN Pole Mount



Part Number
8200213

DIN Pole Mount for 407 LED Strobe Lights

RELATED PRODUCTS



Part Number
0647241

12-24V LED Class I SAE Blue Strobe Light



Part Number
0647251

12-24V LED Class I SAE Red Strobe Light



Part Number
0647261

12-24V LED Class I SAE Green Strobe Light



Part Number
0647271

12-24V LED Class I ECE/SAE Amber Strobe Light with Magnet Mount



Part Number
0647291

12-24V LED Class I SAE Green Strobe Light with Magnet Mount

Print date: 2026-04-03

© 2026 J.W. Speaker Corporation • Germantown, WI U.S.A.
www.jwspeaker.com • speaker@jwspeaker.com • 262.251.6660