

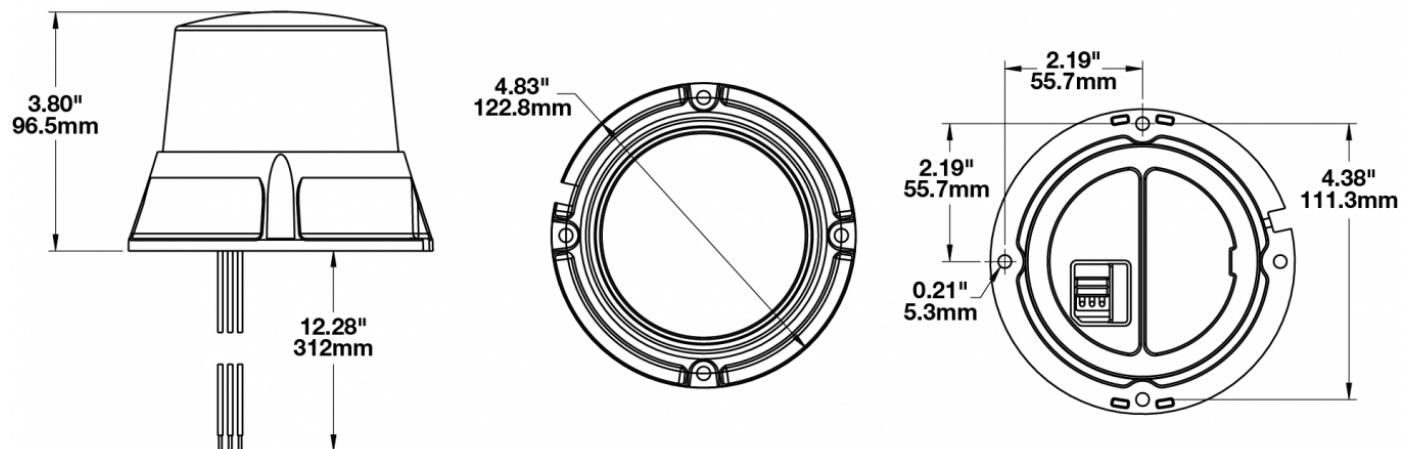
# LED Strobe Lights - Model 407

## PRODUCT INFORMATION

|                                      |                                      |
|--------------------------------------|--------------------------------------|
| <b>Description</b>                   | 12-80V LED Blue Class I Strobe Light |
| <b>Height</b>                        | 96.52 mm / 3.8 in                    |
| <b>Width</b>                         | 121.92 mm / 4.8 in                   |
| <b>Depth</b>                         | 121.92 mm / 4.8 in                   |
| <b>Shape</b>                         | Round                                |
| <b>Outer Lens Material</b>           | Polycarbonate                        |
| <b>Outer Lens Color</b>              | Blue                                 |
| <b>Housing Material</b>              | Aluminum                             |
| <b>Housing Color</b>                 | Black                                |
| <b>Mounting Hardware Description</b> | (x4) #8-16 x 3/4 Mounting Screw      |
| <b>Minimum Operating Temperature</b> | -40 °C / -40 °F                      |
| <b>Maximum Operating Temperature</b> | 60 °C / 140 °F                       |
| <b>Connector or Wiring</b>           | 12" Leads                            |
| <b>Shipping Weight</b>               | 1.93 lbs / 0.88 kgs                  |



## PRODUCT DIMENSIONS



Print date: 2018-06-19

© 2018 J.W. Speaker Corporation • Germantown, WI U.S.A.  
[www.jwspeaker.com](http://www.jwspeaker.com) • [speaker@jwspeaker.com](mailto:speaker@jwspeaker.com) • 262.251.6660

**J.W. SPEAKER**   
 Engineered. Lighting. Solutions.

# LED Strobe Lights - Model 407

## ELECTRICAL SPECIFICATIONS

---

|                          |   |
|--------------------------|---|
| <b>Input Voltage</b>     | 12-80V DC   |
| <b>Operating Voltage</b> | 9-110V DC   |
| <b>Red Wire</b>          | Positive  |
| <b>Black Wire</b>        | Negative  |
| <b>Yellow Wire</b>       | Mode  |
| <b>Current Draw</b>      | 0.920A @ 12V DC<br>0.470A @ 24V DC<br>0.320A @ 36V DC<br>0.240A @ 48V DC<br>0.190A @ 72V DC |

## REGULATORY STANDARDS COMPLIANCE

---



Buy America Standards

IEC IP67

UL Recognized

Eco Friendly

SAE J845

## PHOTOMETRIC SPECIFICATIONS

---

|                        |  |
|------------------------|--|
| <b>Candela Output</b>  | 560  |
| <b>Beam Pattern(s)</b> | Warning - Rotating Warning<br>Warning - Strobe |
| <b>Flash Rate 1</b>    | Beacon   |
| <b>Flash Rate 2</b>    | Quadruple 480                                  |
| <b>Flash Rate 3</b>    | Fast 540                                       |
| <b>Flash Rate 4</b>    | Double 240                                     |
| <b>Flash Rate 5</b>    | Burst 300                                      |
| <b>Flash Rate 6</b>    | Steady Flash 60                                |

Print date: 2018-06-19

© 2018 J.W. Speaker Corporation • Germantown, WI U.S.A.  
www.jwspeaker.com • speaker@jwspeaker.com • 262.251.6660

# LED Strobe Lights - Model 407

## APPLICATIONS

---



## ACCESSORIES

---



**Part Number**  
**0728301**  
Pipe Mount with Fold-Down Bracket for DIN Pole Mount



**Part Number**  
**0728311**  
Pipe Mount with L Bracket for DIN Pole Mount



**Part Number**  
**0728321**  
Pipe Mount with Straight Bracket for DIN Pole Mount



**Part Number**  
**0728331**  
Pipe Mount with Threaded Pipe Mount for DIN Pole Mount



**Part Number**  
**0728341**  
Pipe Mount with Weld-on Bracket for DIN Pole Mount



**Part Number**  
**8200213**  
DIN Pole Mount for 406 & 407 LED Strobe Lights

# LED Strobe Lights - Model 407

## RELATED PRODUCTS

---



**Part Number**  
**0646491**  
12-80V LED Amber  
Class I Strobe Light



**Part Number**  
**0646561**  
12-80V LED Red Class I  
Strobe Light



**Part Number**  
**0646571**  
12-80V LED Green  
Class I Strobe Light



**Part Number**  
**0646741**  
12-80V LED Amber  
Class I Strobe Light  
with DIN Pole Mount



**Part Number**  
**0646891**  
12-80V LED Amber  
Class I Strobe Light  
with Magnet Mount