

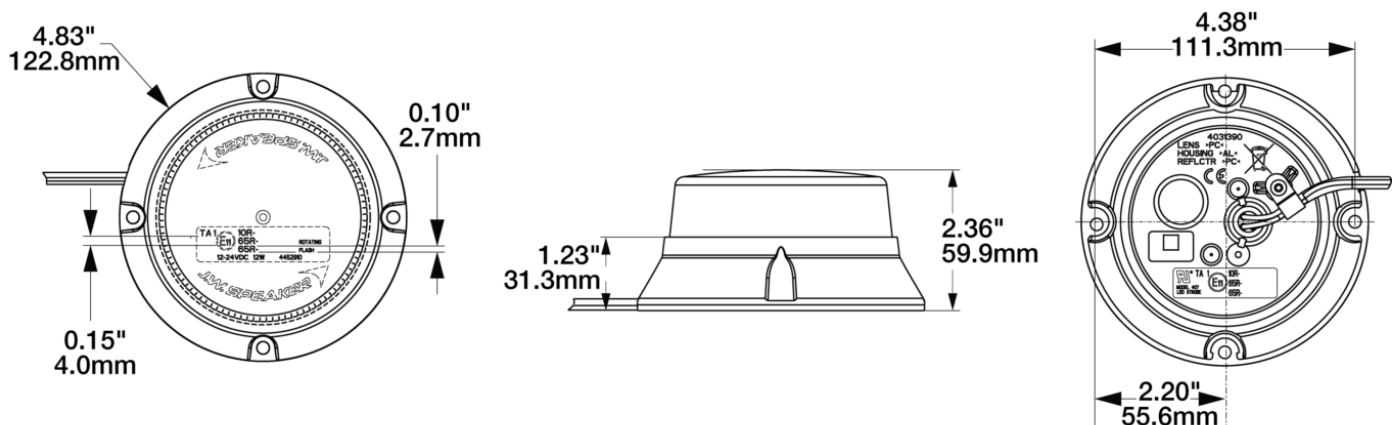
LED Strobe Lights - Model 407 Slim

PRODUCT INFORMATION

Description	12-24V LED Class I SAE Green Strobe Light with Magnet Mount
Height	60.00 mm / 2.36 in
Width	122.80 mm / 4.83 in
Depth	122.80 mm / 4.83 in
Shape	Round
Outer Lens Material	Polycarbonate
Outer Lens Color	Green
Housing Material	Die-cast Aluminum
Housing Color	Black
Mounting Hardware Description	(x4) #8-16 x 3/4" Mounting Screw
Minimum Operating Temperature	-40 °C / -40 °F
Maximum Operating Temperature	60 °C / 140 °F
Connector or Wiring	18" Leads
Product Weight	0.70 lbs / 0.32 kgs
Shipping Weight	0.85 lbs / 0.39 kgs



PRODUCT DIMENSIONS



Print date: 2025-04-29

© 2025 J.W. Speaker Corporation • Germantown, WI U.S.A.
www.jwspeaker.com • speaker@jwspeaker.com • 262.251.6660

J.W. SPEAKER
 Engineered. Lighting. Solutions.

LED Strobe Lights - Model 407 Slim

ELECTRICAL SPECIFICATIONS

Input Voltage	12-24V DC
Operating Voltage	9-32V DC
Red Wire	Positive
Black Wire	Negative
Yellow Wire	Mode
Current Draw	2.20A @ 12V DC (Peak) 0.95A @ 12V DC (Average) 1.10A @ 24V DC (Peak) 0.50A @ 24V DC (Average)

REGULATORY STANDARDS COMPLIANCE



CE Recognized
IEC IP69K

IEC IP67
SAE J845

PHOTOMETRIC SPECIFICATIONS

Beam Pattern(s)	Warning - Rotating Warning Warning - Strobe
Flash Rate 1	Beacon
Flash Rate 2	Single Flash
Flash Rate 3	Double Flash
Flash Rate 4	Quad Flash

Print date: 2025-04-29

© 2025 J.W. Speaker Corporation • Germantown, WI U.S.A.
www.jwspeaker.com • speaker@jwspeaker.com • 262.251.6660

LED Strobe Lights - Model 407 Slim

APPLICATIONS



PRODUCT WARNINGS

For California residents:

⚠ **WARNING:** Cancer and reproductive harm - www.P65Warnings.ca.gov.

⚠ **AVERTISSEMENT:** Cancer et effet nocif sur la reproduction - www.P65Warnings.ca.gov.

RELATED PRODUCTS



Part Number
0647231
12-24V LED Class I
ECE/SAE Amber Strobe
Light



Part Number
0647241
12-24V LED Class I
SAE Blue Strobe Light



Part Number
0647251
12-24V LED Class I
SAE Red Strobe Light