

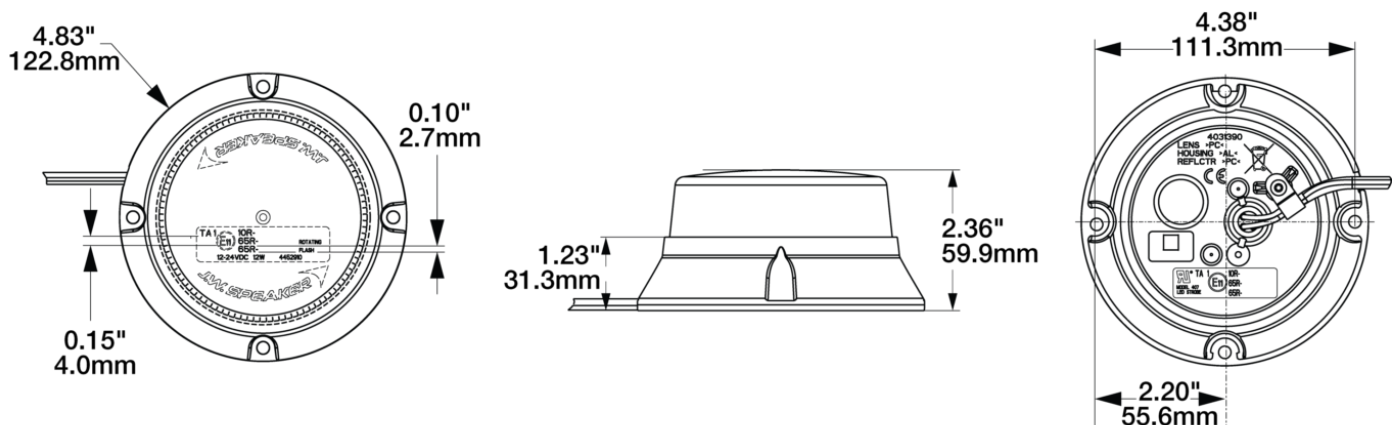
# LED Strobe Lights - Model 407 Slim

## PRODUCT INFORMATION

|                                      |   |
|--------------------------------------|---|
| <b>Description</b>                   | 12-24V LED Class I SAE Red Strobe Light |
| <b>Height</b>                        | 60.00 mm / 2.36 in                      |
| <b>Width</b>                         | 122.80 mm / 4.83 in                     |
| <b>Depth</b>                         | 122.80 mm / 4.83 in                     |
| <b>Shape</b>                         | Round                                   |
| <b>Outer Lens Material</b>           | Polycarbonate                           |
| <b>Outer Lens Color</b>              | Red                                     |
| <b>Housing Material</b>              | Die-cast Aluminum                       |
| <b>Housing Color</b>                 | Black                                   |
| <b>Mounting Hardware Description</b> | (x4) #8-16 x 3/4" Mounting Screw        |
| <b>Minimum Operating Temperature</b> | -40 °C / -40 °F                         |
| <b>Maximum Operating Temperature</b> | 60 °C / 140 °F                          |
| <b>Connector or Wiring</b>           | 18" Leads                               |
| <b>Product Weight</b>                | 0.70 lbs / 0.32 kgs                     |
| <b>Shipping Weight</b>               | 0.85 lbs / 0.39 kgs                     |



## PRODUCT DIMENSIONS



Print date: 2025-04-29

© 2025 J.W. Speaker Corporation • Germantown, WI U.S.A.  
[www.jwspeaker.com](http://www.jwspeaker.com) • [speaker@jwspeaker.com](mailto:speaker@jwspeaker.com) • 262.251.6660

**J.W. SPEAKER**  
 Engineered. Lighting. Solutions.

# LED Strobe Lights - Model 407 Slim

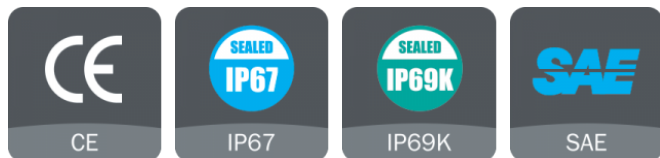
## ELECTRICAL SPECIFICATIONS

---

|                          |  |
|--------------------------|--|
| <b>Input Voltage</b>     | 12-24V DC  |
| <b>Operating Voltage</b> | 9-32V DC   |
| <b>Red Wire</b>          | Positive   |
| <b>Black Wire</b>        | Negative   |
| <b>Yellow Wire</b>       | Mode   |
| <b>Current Draw</b>      | 1.80A @ 12V DC (Peak)<br>0.86A @ 12V DC (Average)<br>1.00A @ 24V DC (Peak)<br>0.45A @ 24V DC (Average) |

## REGULATORY STANDARDS COMPLIANCE

---



CE Recognized  
IEC IP69K

IEC IP67  
SAE J845

## PHOTOMETRIC SPECIFICATIONS

---

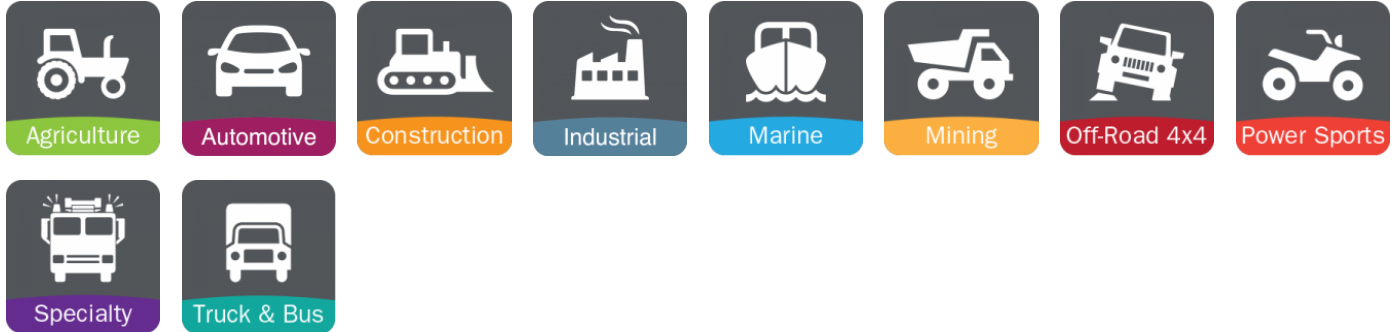
|                        |  |
|------------------------|--|
| <b>Beam Pattern(s)</b> | Warning - Rotating Warning<br>Warning - Strobe |
| <b>Flash Rate 1</b>    | Beacon   |
| <b>Flash Rate 2</b>    | Single Flash                                   |
| <b>Flash Rate 3</b>    | Double Flash                                   |
| <b>Flash Rate 4</b>    | Quad Flash                                     |

Print date: 2025-04-29

© 2025 J.W. Speaker Corporation • Germantown, WI U.S.A.  
www.jwspeaker.com • speaker@jwspeaker.com • 262.251.6660

# LED Strobe Lights - Model 407 Slim

## APPLICATIONS



## PRODUCT WARNINGS

For California residents:

⚠ **WARNING:** Cancer and reproductive harm - [www.P65Warnings.ca.gov](http://www.P65Warnings.ca.gov).

⚠ **AVERTISSEMENT:** Cancer et effet nocif sur la reproduction - [www.P65Warnings.ca.gov](http://www.P65Warnings.ca.gov).

## RELATED PRODUCTS



**Part Number**  
**0647231**  
12-24V LED Class I  
ECE/SAE Amber Strobe  
Light



**Part Number**  
**0647241**  
12-24V LED Class I  
SAE Blue Strobe Light



**Part Number**  
**0647261**  
12-24V LED Class I  
SAE Green Strobe  
Light with Magnet  
Mount