

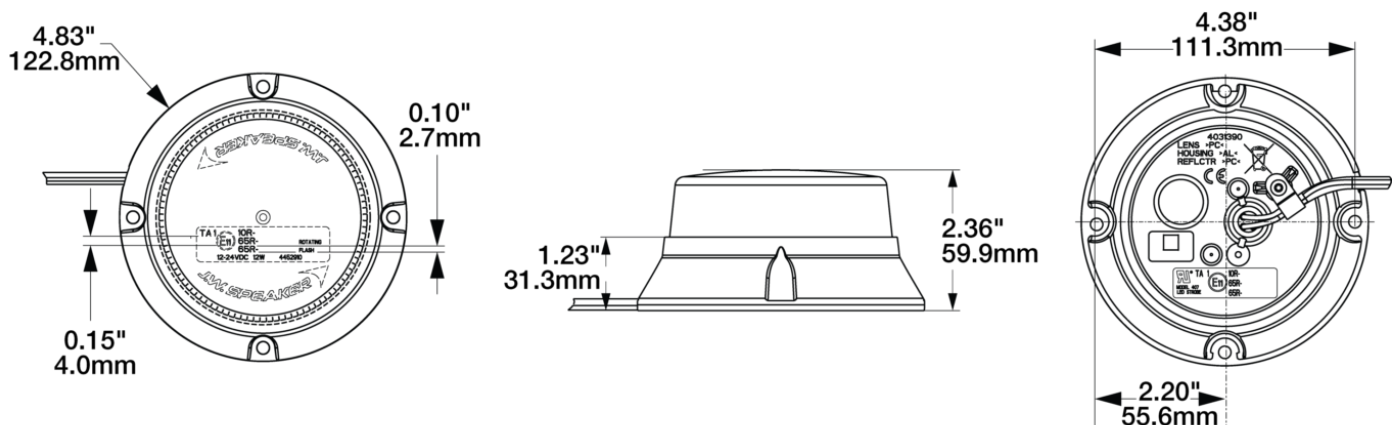
# LED Strobe Lights - Model 407 Slim

## PRODUCT INFORMATION

<b>Description</b>	12-24V LED Class I SAE Blue Strobe Light
<b>Height</b>	60.00 mm / 2.36 in
<b>Width</b>	122.80 mm / 4.83 in
<b>Depth</b>	122.80 mm / 4.83 in
<b>Shape</b>	Round
<b>Outer Lens Material</b>	Polycarbonate
<b>Outer Lens Color</b>	Blue
<b>Housing Material</b>	Die-cast Aluminum
<b>Housing Color</b>	Black
<b>Mounting Hardware Description</b>	(x4) #8-16 x 3/4" Mounting Screw
<b>Minimum Operating Temperature</b>	-40 °C / -40 °F
<b>Maximum Operating Temperature</b>	60 °C / 140 °F
<b>Connector or Wiring</b>	18" Leads
<b>Product Weight</b>	0.70 lbs / 0.32 kgs
<b>Shipping Weight</b>	0.85 lbs / 0.39 kgs



## PRODUCT DIMENSIONS



Print date: 2025-04-29

© 2025 J.W. Speaker Corporation • Germantown, WI U.S.A.  
 www.jwspeaker.com • speaker@jwspeaker.com • 262.251.6660

**J.W. SPEAKER**  
 Engineered. Lighting. Solutions.

# LED Strobe Lights - Model 407 Slim

## ELECTRICAL SPECIFICATIONS

---

<b>Input Voltage</b>	12-24V DC
<b>Operating Voltage</b>	9-32V DC
<b>Red Wire</b>	Positive
<b>Black Wire</b>	Negative
<b>Yellow Wire</b>	Mode
<b>Current Draw</b>	2.20A @ 12V DC (Peak) 0.95A @ 12V DC (Average) 1.10A @ 24V DC (Peak) 0.50A @ 24V DC (Average)

## REGULATORY STANDARDS COMPLIANCE

---



CE Recognized  
IEC IP69K

IEC IP67  
SAE J845

## PHOTOMETRIC SPECIFICATIONS

---

<b>Beam Pattern(s)</b>	Warning - Rotating Warning Warning - Strobe
<b>Flash Rate 1</b>	Beacon
<b>Flash Rate 2</b>	Single Flash
<b>Flash Rate 3</b>	Double Flash
<b>Flash Rate 4</b>	Quad Flash

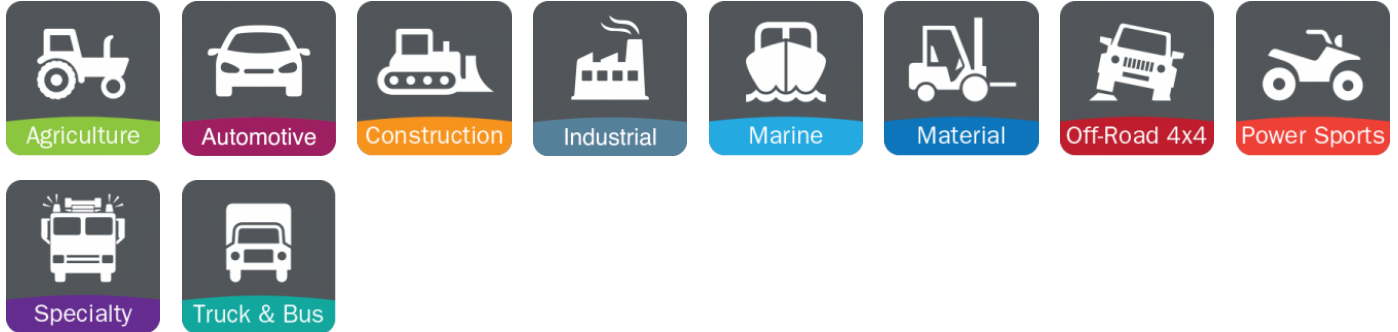
**Print date: 2025-04-29**

© 2025 J.W. Speaker Corporation • Germantown, WI U.S.A.  
www.jwspeaker.com • speaker@jwspeaker.com • 262.251.6660

**J.W. SPEAKER**   
Engineered. Lighting. Solutions.

# LED Strobe Lights - Model 407 Slim

## APPLICATIONS



## PRODUCT WARNINGS

For California residents:

⚠ **WARNING:** Cancer and reproductive harm - [www.P65Warnings.ca.gov](http://www.P65Warnings.ca.gov).

⚠ **AVERTISSEMENT:** Cancer et effet nocif sur la reproduction - [www.P65Warnings.ca.gov](http://www.P65Warnings.ca.gov).

## RELATED PRODUCTS



**Part Number**  
**0647231**  
12-24V LED Class I  
ECE/SAE Amber Strobe  
Light



**Part Number**  
**0647251**  
12-24V LED Class I  
SAE Red Strobe Light



**Part Number**  
**0647261**  
12-24V LED Class I  
SAE Green Strobe  
Light with Magnet  
Mount