

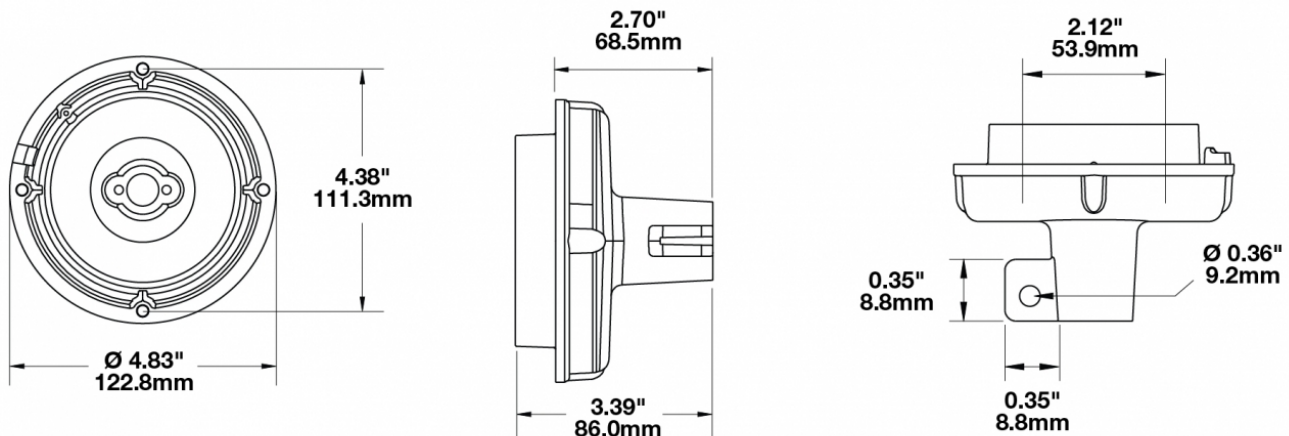
DIN Pole Mount for 406 & 407 LED Strobe Lights

PRODUCT INFORMATION

Description	DIN Pole Mount for 406 & 407 LED Strobe Lights
Height	86.15 mm / 3.39 in
Width	122.75 mm / 4.83 in
Depth	122.75 mm / 4.83 in
Shape	Round
Housing Material	Nylon
Housing Color	Black
Mounting Type	Pole
Minimum Operating Temperature	-40 °C / -40 °F
Maximum Operating Temperature	60 °C / 140 °F
Connector or Wiring	ISO 4165 plug
Mating Connector	ISO 4165 socket
Product Weight	0.50 lbs / 0.23 kgs
Shipping Weight	0.73 lbs / 0.33 kgs



PRODUCT DIMENSIONS



Print date: 2018-11-13

© 2018 J.W. Speaker Corporation • Germantown, WI U.S.A.
 www.jwspeaker.com • speaker@jwspeaker.com • 262.251.6660

J.W. SPEAKER
 Engineered. Lighting. Solutions.

DIN Pole Mount for 406 & 407 LED Strobe Lights

REGULATORY STANDARDS COMPLIANCE



Buy America Standards



Eco Friendly

APPLICATIONS



ADDITIONAL INFORMATION

This DIN Pole Mount allows the use of the Model 406 & 407 strobe light to be mounted to a pole with an ISO 4165 socket.

DIN Pole Mount accessory Includes: (4) screw mounts to secure directly to strobe light housing.

SUITS THESE PRODUCTS



5" Round Low Profile LED Lights - Class II

LED Strobe Lights - Model 406



5" Round Low Profile LED Lights - Class I

LED Strobe Lights - Model 407

Print date: 2018-11-13

© 2018 J.W. Speaker Corporation • Germantown, WI U.S.A.
www.jwspeaker.com • speaker@jwspeaker.com • 262.251.6660