

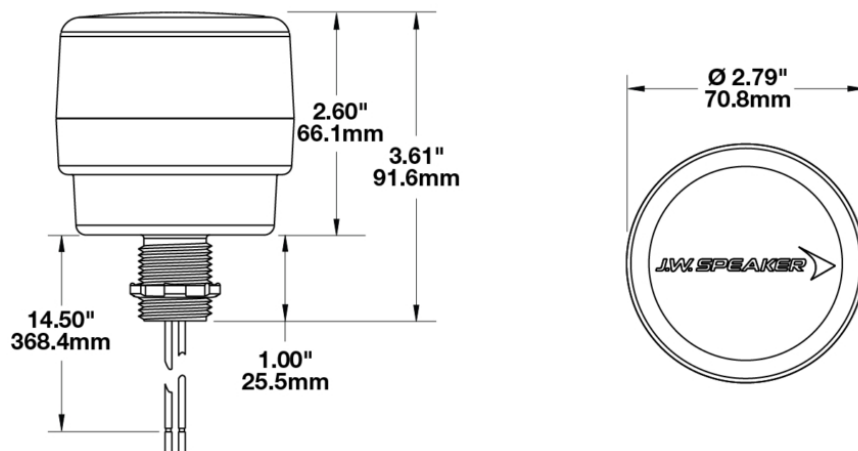
# LED Strobe Safety Warning Lights - Model 538

## PRODUCT INFORMATION

<b>Description</b>	12-80V Amber Class II LED Strobe Light with Pipe Mount
<b>Height</b>	91.60 mm / 3.61 in
<b>Width</b>	70.80 mm / 2.79 in
<b>Depth</b>	70.80 mm / 2.79 in
<b>Shape</b>	Round
<b>Outer Lens Material</b>	Acrylic
<b>Outer Lens Color</b>	Clear
<b>Housing Material</b>	Polycarbonate
<b>Housing Color</b>	Black
<b>Mounting Hardware Description</b>	1/2 INCH NPT-
<b>Mounting Type</b>	Pipe Mount
<b>Minimum Operating Temperature</b>	-40 °C / -40 °F
<b>Maximum Operating Temperature</b>	65 °C / 149 °F
<b>Connector or Wiring</b>	13.5" Bare Leads
<b>Product Weight</b>	0.30 lbs / 0.14 kgs
<b>Shipping Weight</b>	1.51 lbs / 0.68 kgs



## PRODUCT DIMENSIONS



Print date: 2026-04-03

© 2026 J.W. Speaker Corporation • Germantown, WI U.S.A.  
www.jwspeaker.com • speaker@jwspeaker.com • 262.251.6660

**J.W. SPEAKER**  
Engineered. Lighting. Solutions.

# LED Strobe Safety Warning Lights - Model 538

## ELECTRICAL SPECIFICATIONS

<b>Input Voltage</b>	12-80V DC
<b>Operating Voltage</b>	12-80V DC
<b>Red Wire</b>	Positive
<b>Black Wire</b>	Negative
<b>Current Draw</b>	0.256A @ 12V DC 0.088A @ 48V DC 0.076A @ 80V DC

## REGULATORY STANDARDS COMPLIANCE



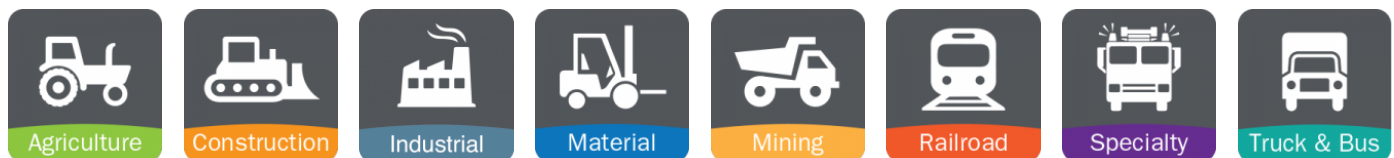
Buy America Standards  
UL Recognized

Eco Friendly

## PHOTOMETRIC SPECIFICATIONS

<b>Beam Pattern(s)</b>	Warning - Strobe
<b>Flash Rate 1</b>	60 +/- 10 fpm

## APPLICATIONS



Print date: 2026-04-03

© 2026 J.W. Speaker Corporation • Germantown, WI U.S.A.  
www.jwspeaker.com • speaker@jwspeaker.com • 262.251.6660

**J.W. SPEAKER**  
Engineered. Lighting. Solutions.

# LED Strobe Safety Warning Lights - Model 538

## PRODUCT WARNINGS

---

For California residents:

⚠ **WARNING:** Cancer and reproductive harm - [www.P65Warnings.ca.gov](http://www.P65Warnings.ca.gov).

⚠ **AVERTISSEMENT:** Cancer et effet nocif sur la reproduction - [www.P65Warnings.ca.gov](http://www.P65Warnings.ca.gov).

## RELATED PRODUCTS

---



**Part Number**  
**0646401**

12-80V Red Class III  
LED Strobe Light with  
Pipe Mount



**Part Number**  
**0646411**

12-80V Green Class III  
LED Strobe Light with  
Pipe Mount



**Part Number**  
**0646421**

12-80V Blue Class III  
LED Strobe Light with  
Pipe Mount



**Part Number**  
**0646431**

12-80V White Class III  
LED Strobe Light with  
Pipe Mount



**Part Number**  
**0647121**

12/80V Red/Green LED  
Indicator Light with  
Pipe Mount