

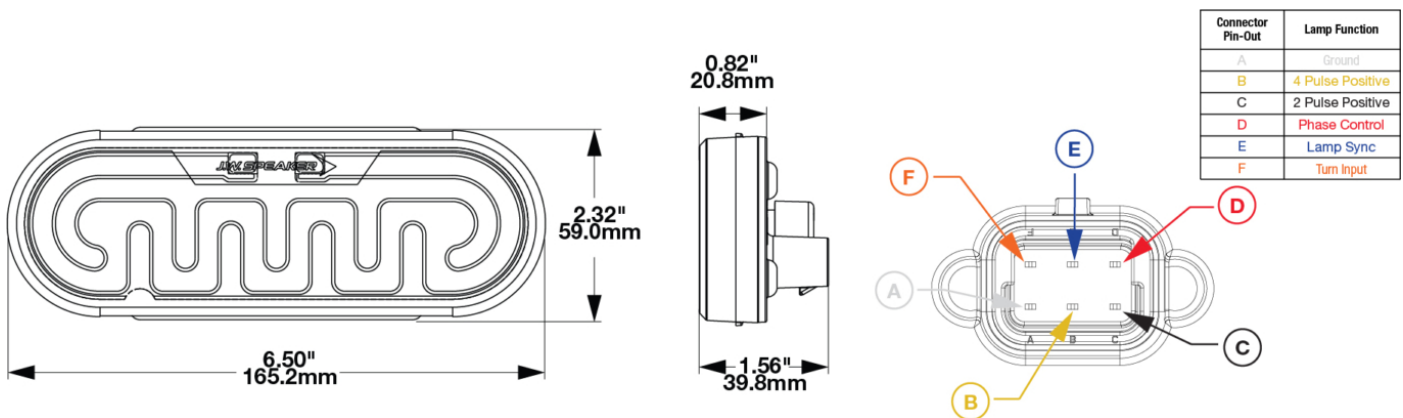
Heated Oval LED Signal Light - Model 274

PRODUCT INFORMATION

Description	12-24V DOT LED Heated RED Flash Signal Light
Height	57.00 mm / 2.24 in
Width	165.50 mm / 6.52 in
Depth	21.00 mm / 0.83 in
Shape	Oval
Outer Lens Material	Polycarbonate
Outer Lens Color	Clear
Housing Material	Polycarbonate
Housing Color	Black
Bezel Color	Red
Mounting Type	Grommet/Flange Bracket
Minimum Operating Temperature	-40 °C / -40 °F
Maximum Operating Temperature	50 °C / 122 °F
Connector or Wiring	6-Pin Delphi (#12052848)
Mating Connector	Delphi (#12052848)
Product Weight	0.35 lbs / 0.16 kgs
Shipping Weight	0.35 lbs / 0.16 kgs



PRODUCT DIMENSIONS



Print date: 2026-06-26

© 2026 J.W. Speaker Corporation • Germantown, WI U.S.A.
 www.jwspeaker.com • speaker@jwspeaker.com • 262.251.6660

Heated Oval LED Signal Light - Model 274

ELECTRICAL SPECIFICATIONS

Input Voltage	12-24V DC
Operating Voltage	9-32V DC
Transient Spike Protection	330V Peak @ 1 HZ-100 Pulses
Current Draw	1.2A @ 12V DC (ALL FLASH MODES) .7A @ 24V DC (ALL FLASH MODES) 1.5A @ 12V DC (TURN) .75A @ 24V DC (TURN)

REGULATORY STANDARDS COMPLIANCE



Buy America Standards	Eco Friendly
IEC IP69K	SAE J1113-13
SAE J1113-21	SAE J1113-4
SAE J588	SAE J595 (Class II)

PHOTOMETRIC SPECIFICATIONS

Beam Pattern(s)	Signalization - Turn (Rear) Warning - Flashing Warning Warning - Strobe
Flash Rate 1	2 Flash
Flash Rate 2	4 Flash
Flash Rate 3	6 Flash

APPLICATIONS



Print date: 2026-06-26

© 2026 J.W. Speaker Corporation • Germantown, WI U.S.A.
www.jwspeaker.com • speaker@jwspeaker.com • 262.251.6660

J.W. SPEAKER
Engineered. Lighting. Solutions.

Heated Oval LED Signal Light - Model 274

PRODUCT WARNINGS

For California residents:

⚠ **WARNING:** Cancer and reproductive harm - www.P65Warnings.ca.gov.

⚠ **AVERTISSEMENT:** Cancer et effet nocif sur la reproduction - www.P65Warnings.ca.gov.

ACCESSORIES



Part Number
4242891

Rubber Mounting
Grommet for Model
274



Part Number
5870261

Plastic Mounting
Flange for Model 274



Part Number
8200581

Steel L-Shaped
Mounting Bracket for
Model 274



Part Number
8200591

Chrome Plastic Trim
Ring for Model 274



Part Number
3270501

3-Pin AMP Connector
Wire Harness
Assembly

Heated Oval LED Signal Light - Model 274

RELATED PRODUCTS



Part Number
0346701
12-24V DOT LED
Heated Red Stop, Tail,
& Turn Light



Part Number
0346704
12-24V DOT LED
Heated Red Stop, Tail,
& Turn Light with
Harness



Part Number
0346711
12-24V DOT LED
Heated Amber Rear
Turn Light



Part Number
0346714
12-24V DOT LED
Heated Amber Rear
Turn Light with
Harness



Part Number
0346721
12-24V DOT LED
Heated White Reverse
Light



Part Number
0346724
12-24V DOT LED
Heated White Reverse
Light with Harness



Part Number
0346781
12-24V DOT LED
Heated Amber Front
Position & Front Turn
Signal Light



Part Number
0346784
12-24V DOT LED
Heated Amber Front
Position & Front Turn
Signal Light with
Harness