

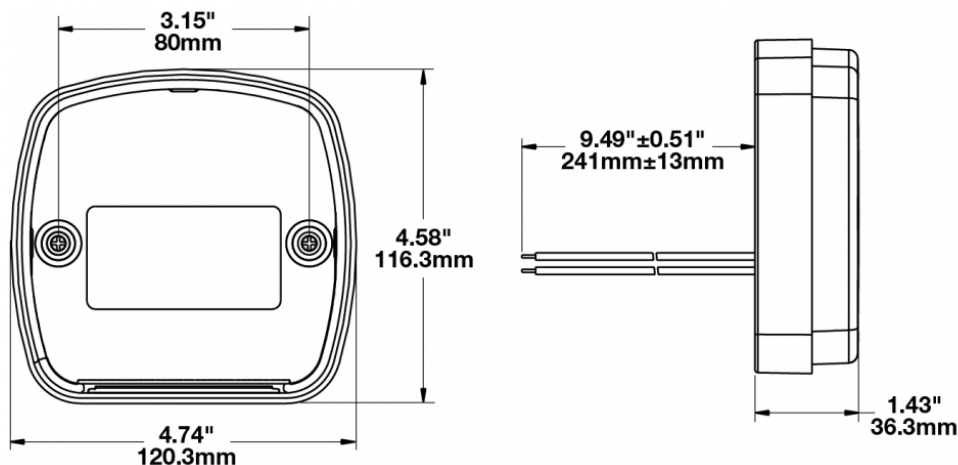
# LED Stop, Tail & Turn Lights - Model 236

## PRODUCT INFORMATION

<b>Description</b>	12-24V ECE LED Stop, Tail & Turn Signal Light with License Plate Illuminator
<b>Height</b>	116.33 mm / 4.58 in
<b>Width</b>	120.40 mm / 4.74 in
<b>Depth</b>	36.32 mm / 1.43 in
<b>Shape</b>	Square
<b>Outer Lens Material</b>	Acrylic
<b>Outer Lens Color</b>	Red
<b>Housing Material</b>	Impact-Resistant Nylon
<b>Housing Color</b>	Black
<b>Mounting Type</b>	Low Profile Mount
<b>Minimum Operating Temperature</b>	-40 °C / -40 °F
<b>Maximum Operating Temperature</b>	65 °C / 149 °F
<b>Mating Connector</b>	4-Pin Deutsch Plug (DT06-4S)
<b>Product Weight</b>	0.67 lbs / 0.3 kgs



## PRODUCT DIMENSIONS



Print date: 2017-12-13

© 2017 J.W. Speaker Corporation • Germantown, WI U.S.A.  
 www.jwspeaker.com • speaker@jwspeaker.com • 262.251.6660

# LED Stop, Tail & Turn Lights - Model 236

## ELECTRICAL SPECIFICATIONS

---

<b>Input Voltage</b>	12-24V DC
<b>Red Wire</b>	Stop
<b>White Wire</b>	Tail
<b>Yellow Wire</b>	Turn
<b>Black Wire</b>	Ground
<b>Current Draw</b>	0.350A @ 12V DC (Stop) 0.130A @ 12V DC (Tail) 1.300 A @ 12V DC (Turn)

## REGULATORY STANDARDS COMPLIANCE

---



Buy America Standards	ECE Reg 3
ECE Reg 4	ECE Reg 6
ECE Reg 7	Eco Friendly
IEC IP67	

## PHOTOMETRIC SPECIFICATIONS

---

<b>Beam Pattern(s)</b>	Signalization - Stop Signalization - Tail Signalization - Turn (Front)
------------------------	--

Print date: 2017-12-13

© 2017 J.W. Speaker Corporation • Germantown, WI U.S.A.  
www.jwspeaker.com • speaker@jwspeaker.com • 262.251.6660

# LED Stop, Tail & Turn Lights - Model 236

## APPLICATIONS

---



## RELATED PRODUCTS

---



**Part Number**

**0343151**

12-24V ECE LED Stop,  
Tail & Turn Signal Light  
without License Plate  
Illuminator