

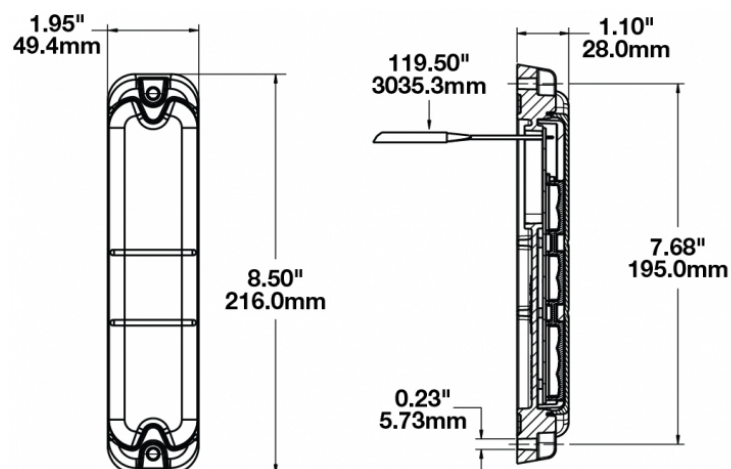
LED Stop light, Tail light & Turn Light - Model 283

PRODUCT INFORMATION

Description	12-24V ECE LED Stop, Tail & Turn Signal Light
Height	215.90 mm / 8.5 in
Width	49.53 mm / 1.95 in
Depth	27.94 mm / 1.1 in
Shape	Rectangular
Outer Lens Material	Polycarbonate
Outer Lens Color	Clear, Red
Housing Material	ABS
Housing Color	Black
Mounting Type	Low Profile Mount
Minimum Operating Temperature	-40 °C / -40 °F
Maximum Operating Temperature	65 °C / 149 °F
Connector or Wiring	120" Bare Leads
Product Weight	0.42 lbs / 0.19 kgs
Shipping Weight	0.75 lbs / 0.34 kgs



PRODUCT DIMENSIONS



Print date: 2026-06-13

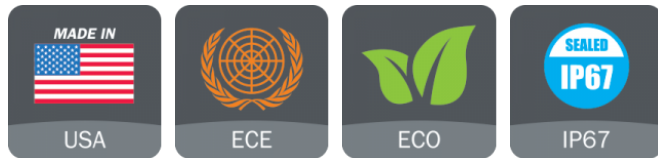
© 2026 J.W. Speaker Corporation • Germantown, WI U.S.A.
 www.jwspeaker.com • speaker@jwspeaker.com • 262.251.6660

LED Stop light, Tail light & Turn Light - Model 283

ELECTRICAL SPECIFICATIONS

Input Voltage	12-24V DC
Red Wire	Stop
White Wire	Tail
Green Wire	Turn
Black Wire	Ground
Current Draw	0.151A @ 12V DC (Stop) 0.008A @ 12V DC (Tail) 0.161A @ 12V DC (Turn) 0.078A @ 24V DC (Stop) 0.008A @ 24V DC (Tail) 0.084A @ 24V DC (Turn)

REGULATORY STANDARDS COMPLIANCE



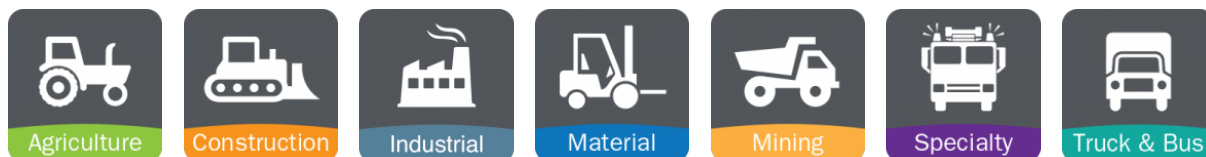
Buy America Standards
ECE Reg 7
IEC IP67

ECE Reg 6
Eco Friendly

PHOTOMETRIC SPECIFICATIONS

Beam Pattern(s)	Signalization - Stop Signalization - Tail Signalization - Turn (Front) Signalization - Turn (Rear)
------------------------	---

APPLICATIONS



Print date: 2026-06-13

© 2026 J.W. Speaker Corporation • Germantown, WI U.S.A.
www.jwspeaker.com • speaker@jwspeaker.com • 262.251.6660

LED Stop light, Tail light & Turn Light - Model 283

PRODUCT WARNINGS

For California residents:

⚠ **WARNING:** Cancer and reproductive harm - www.P65Warnings.ca.gov.

⚠ **AVERTISSEMENT:** Cancer et effet nocif sur la reproduction - www.P65Warnings.ca.gov.

Print date: 2026-06-13

© 2026 J.W. Speaker Corporation • Germantown, WI U.S.A.
www.jwspeaker.com • speaker@jwspeaker.com • 262.251.6660

J.W. SPEAKER 
Engineered. Lighting. Solutions.